



Floor Sockets and Anchors:

All floor sockets and anchors as supplied by Royal Stewart Ltd.

SUPPLY ONLY:

RS 108 Floor Sockets (for use on hardwood floors)

Sockets shall consist of steel bottom sleeve with 1.93" (49 mm) ID, and 5" (127 mm) bronze top plate and rim.

RS 100 Floor Sockets (for use on synthetic floors)

Sockets shall be cast bronze, machined to 1.93" (49 mm) ID and to be supplied complete with drop in caps.

RS 108 S Storage Room Sockets

Sockets shall consist of steel sleeves with 1.93" (49 mm) ID to be installed in storage room.

RS 308 Floor Sockets (for use on hardwood floors)

Sockets shall consist of steel bottom sleeve with 3" (76 mm) ID, and 7" (178 mm) bronze top plate and rim.

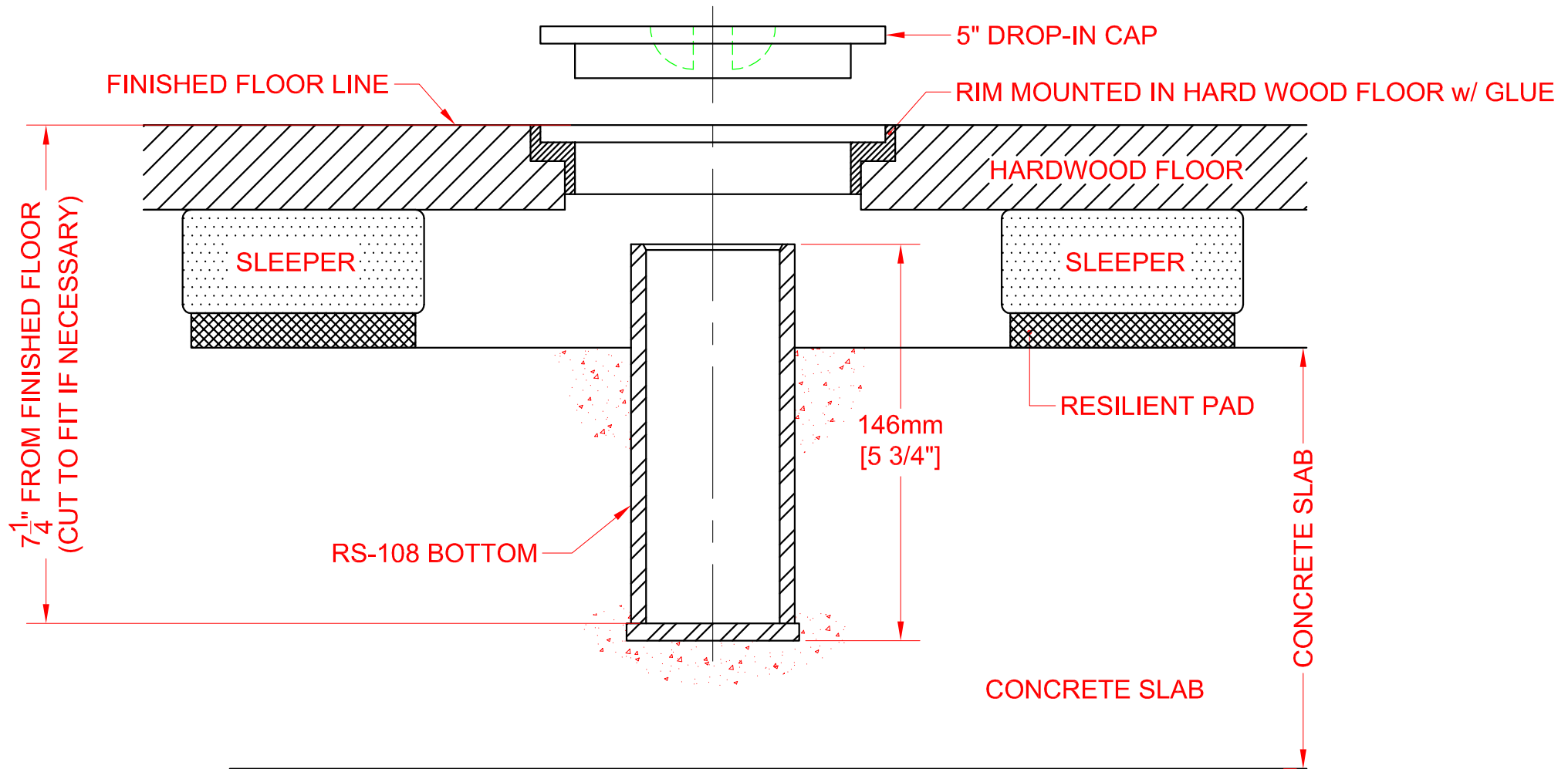
RS 300 Floor Sockets (for use on synthetic floors)

Sockets shall consist of steel bottom sleeve with 3" (76 mm) ID, and 5" (127 mm) bronze top plate and rim.

RS 308 S Storage Room Sockets

Sockets shall consist of bottom steel sleeves with 3" (76 mm) ID to be installed in storage room.

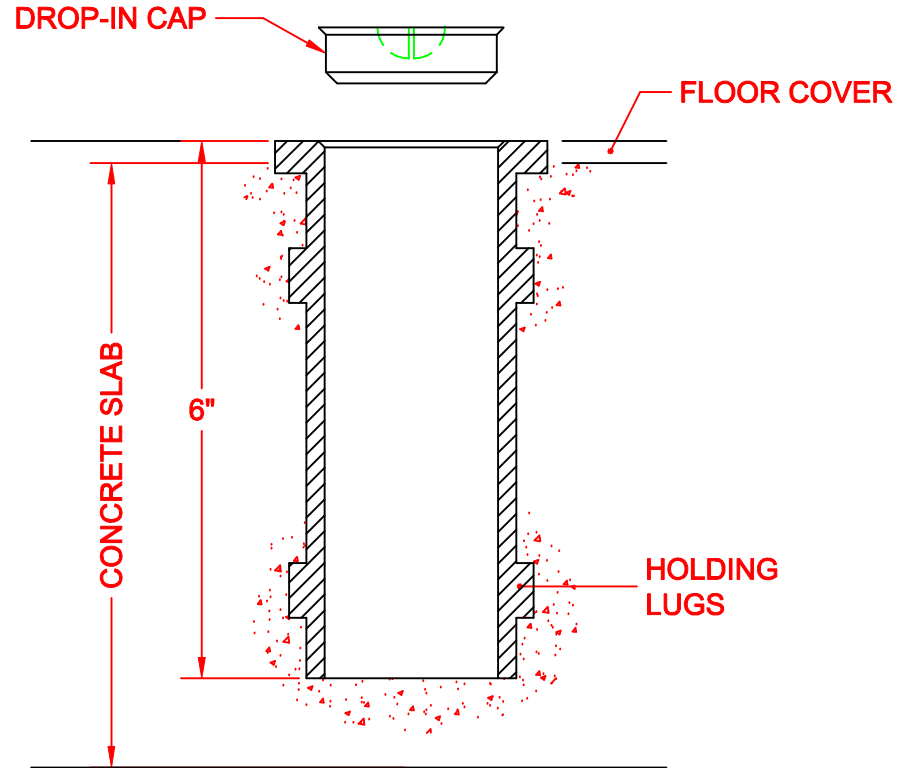
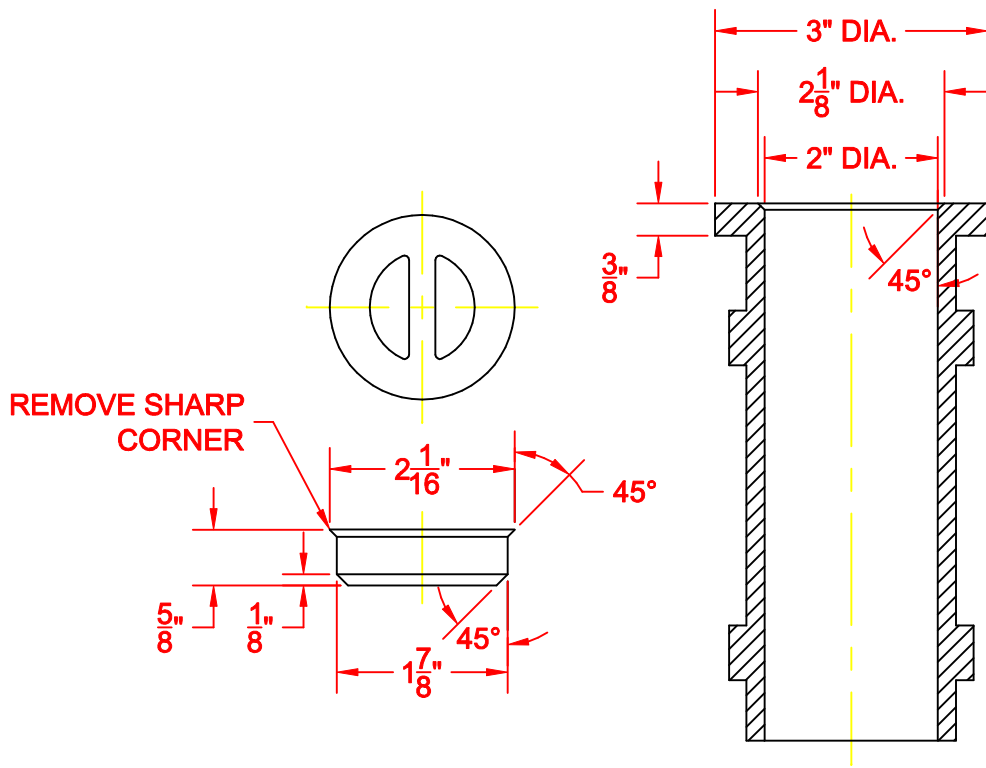
(Minimum height in storage room should be 120" (3048 mm))



NOTE
 POST TO BE USED IN CONJUNCTION
 WITH THIS SOCKET
 WILL BE FABRICATED USING 1.9" O.D. TUBING
 IN ORDER TO OBTAIN A CORRECT FIT

WORK ORDER / TRACKING NO		QTY REQUIRED		RSL MANUFACTURING Your Sports Facility and Auditorium Specialists Unit 12 - 1601 Church Ave. Winnipeg, Manitoba, Canada, R2X 1G9		1
MATERIAL		TITLE RS-108 FLOOR SOCKETS c/w RING, CAP & SLEEVE				1
SCALE	N.T.S.	DWG SHEET NO		1		REV
DRAWN BY	ET	DWG NO				A
DATE	05/01/03					

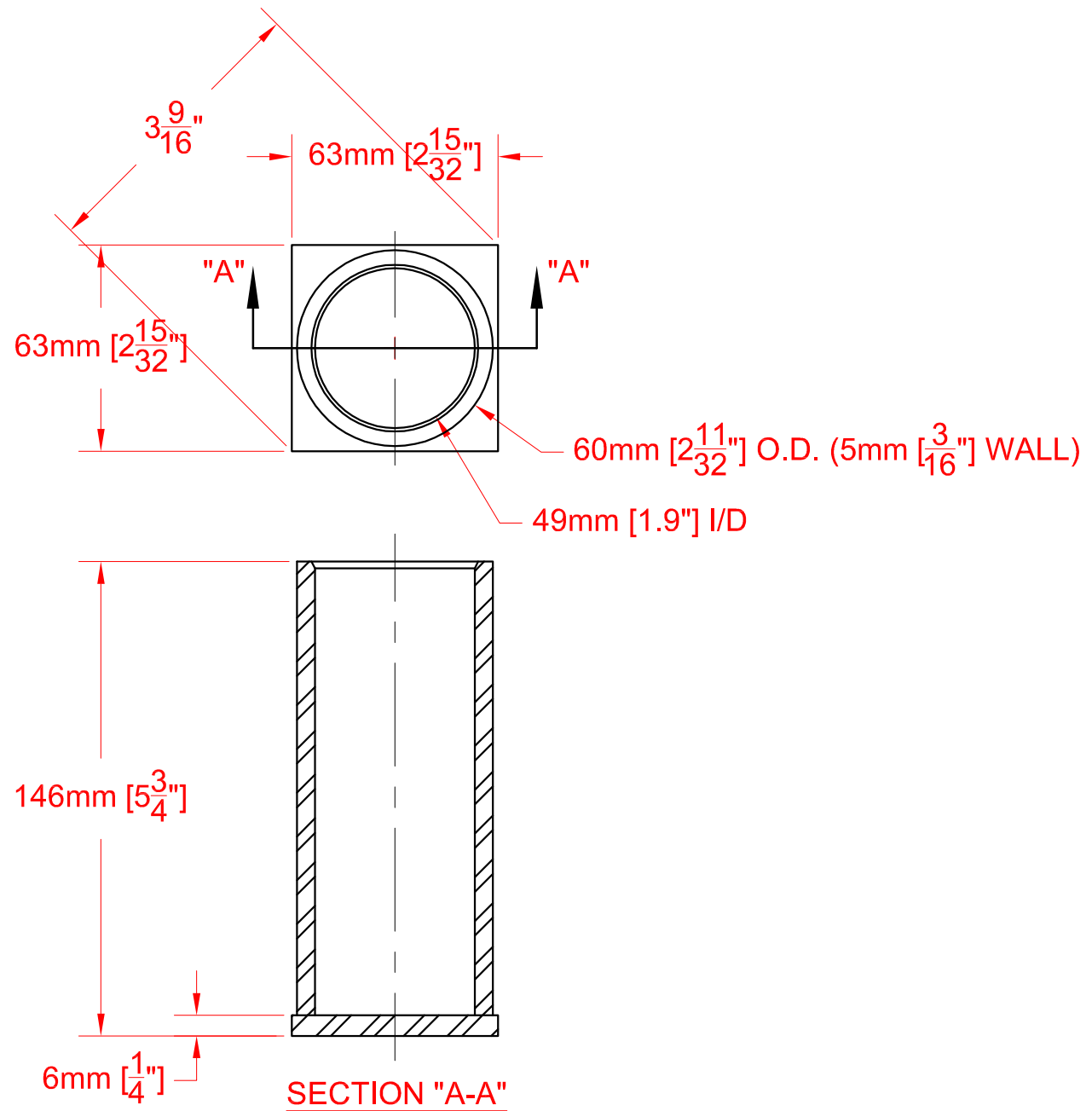
A	08/19/15	DRAWING RELEASE	SC	
REV	DATE	REVISIONS DESCRIPTION	BY	CHK'D
DO NOT SCALE DWG, UOS DIMENSIONS ARE IMPERIAL INCHES				



A	04/30/04	DRAWING RELEASE	ET
REV	DATE	REVISIONS DESCRIPTION	BY CHK'D
DO NOT SCALE DWG, UOS DIMENSIONS ARE IMPERIAL INCHES			

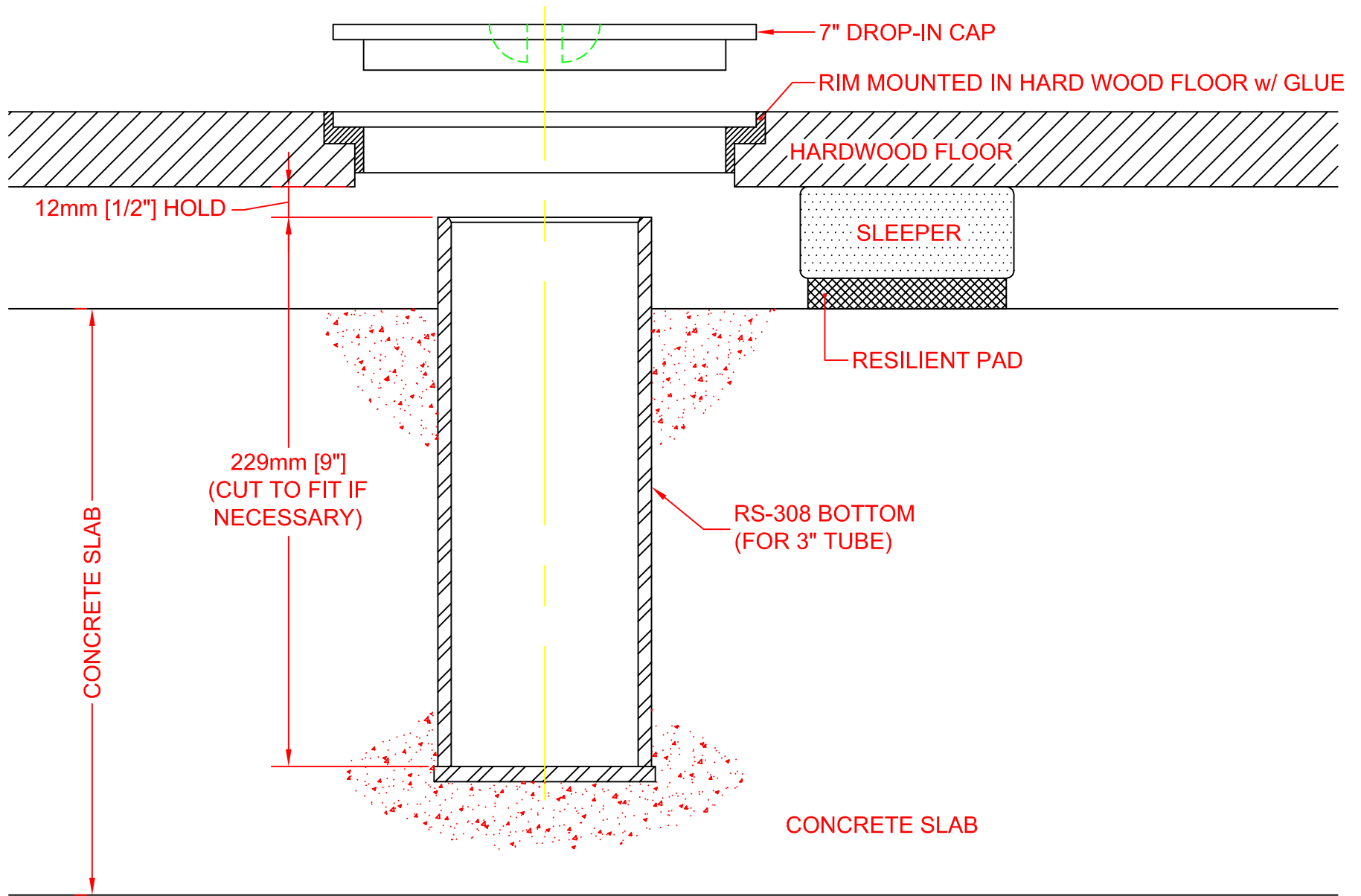
WORK ORDER / TRACKING NO	QTY REQUIRED
MATERIAL	
TITLE RS-100 BRONZE FLOOR SOCKET c/w DROP IN CAP	

ROYAL STEWART LTD. Your Sports Facility and Auditorium Specialists 240 I-XL Cres. (St. Clements Ind. Park) Lockport, Manitoba, Canada, R1A 3R9		1
SCALE N.T.S.	DWG SHEET NO 1	ROUTING
DRAWN BY ET	DWG NO	REV A
DATE 09/23/02		



WORK ORDER / TRACKING NO		QTY REQUIRED		RSL MANUFACTURING Your Sports Facility and Auditorium Specialists Unit 12 - 1601 Church Ave. Winnipeg, Manitoba, Canada, R2X 1G9		1
MATERIAL		TITLE RS-108S STEEL STORAGE SOCKET				1
SCALE N.T.S.		DWG SHEET NO 1		ROUTING		
DRAWN BY ET		DWG NO		REV		A
DATE 04/29/03						

A	04/30/04	DRAWING RELEASE	ET	
REV	DATE	REVISIONS DESCRIPTION	BY	CHK'D
DO NOT SCALE DWG, UOS DIMENSIONS ARE IMPERIAL INCHES				

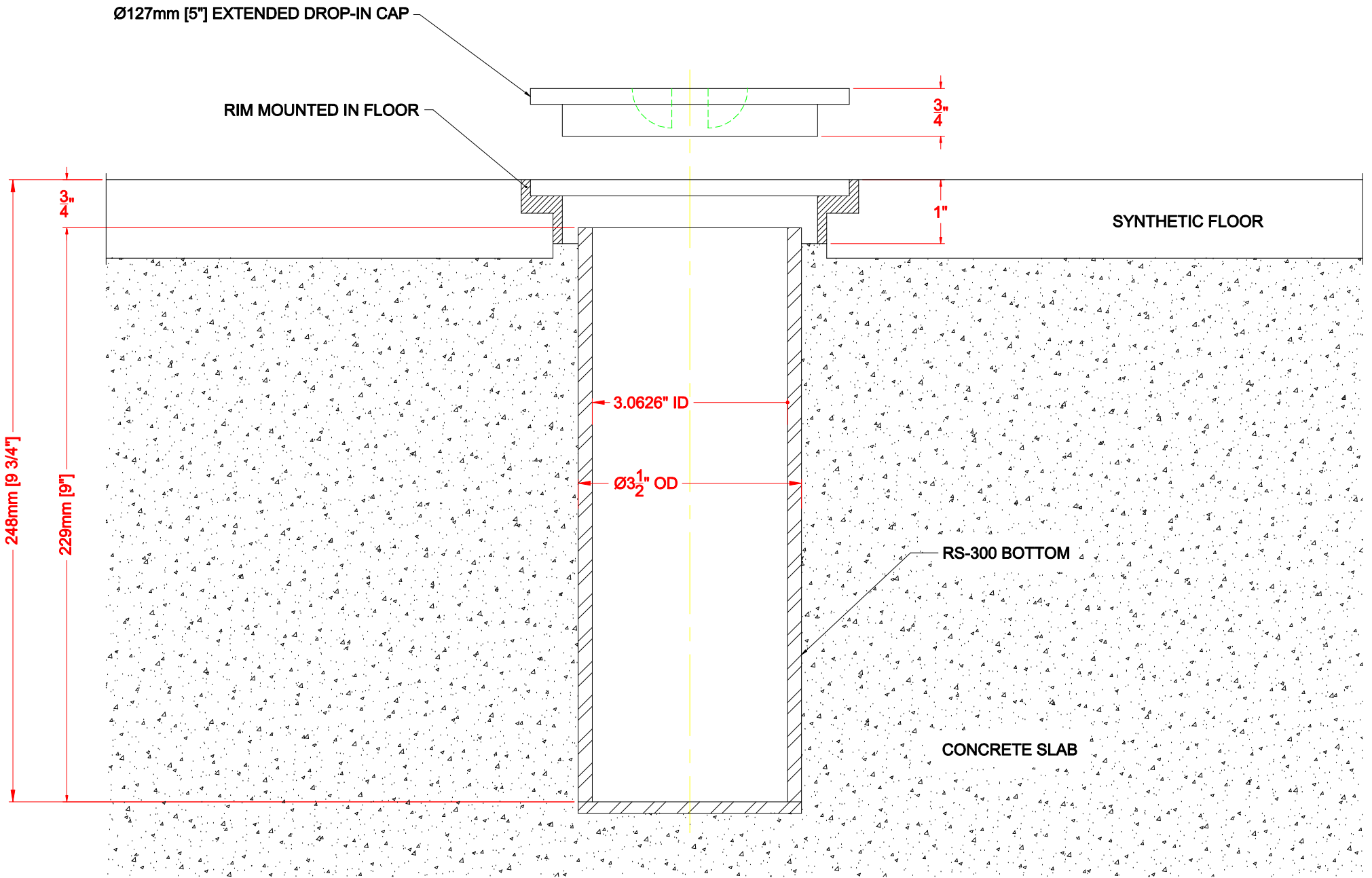


NOTE

POST TO BE USED IN CONJUNCTION WITH THIS SOCKET WILL BE FABRICATED USING 3" O.D. TUBING IN ORDER TO OBTAIN A CORRECT FIT

WORK ORDER / TRACKING NO		QTY REQUIRED		RSL MANUFACTURING Your Sports Facility and Auditorium Specialists Unit 12 - 1601 Church Ave. Winnipeg, Manitoba, Canada, R2X 1G9		1
MATERIAL		TITLE RS-308 FLOOR SOCKETS c/w RING, CAP & SLEEVE				1
SCALE N.T.S.		DRAWN BY ET		DWG SHEET NO 1		ROUTING
DATE 05/01/03				DWG NO		REV A

A	08/03/05	DRAWING RELEASE	ET	
REV	DATE	REVISIONS DESCRIPTION	BY	CHK'D
DO NOT SCALE DWG, UOS DIMENSIONS ARE IMPERIAL INCHES				



WORK ORDER / TRACKING NO

QTY REQUIRED

ROYAL STEWART LTD.

Your Sports Facility and Auditorium Specialists
 240 I-XL Cres. (St. Clements Ind. Park)
 Lockport, Manitoba, Canada, R1A 3R9

MATERIAL

TITLE

RS-300 FLOOR SOCKETS c/w RING, CAP & SLEEVE

SCALE N.T.S.
 DRAWN BY ET
 DATE 05/01/03

DWG SHEET NO

1

DWG NO

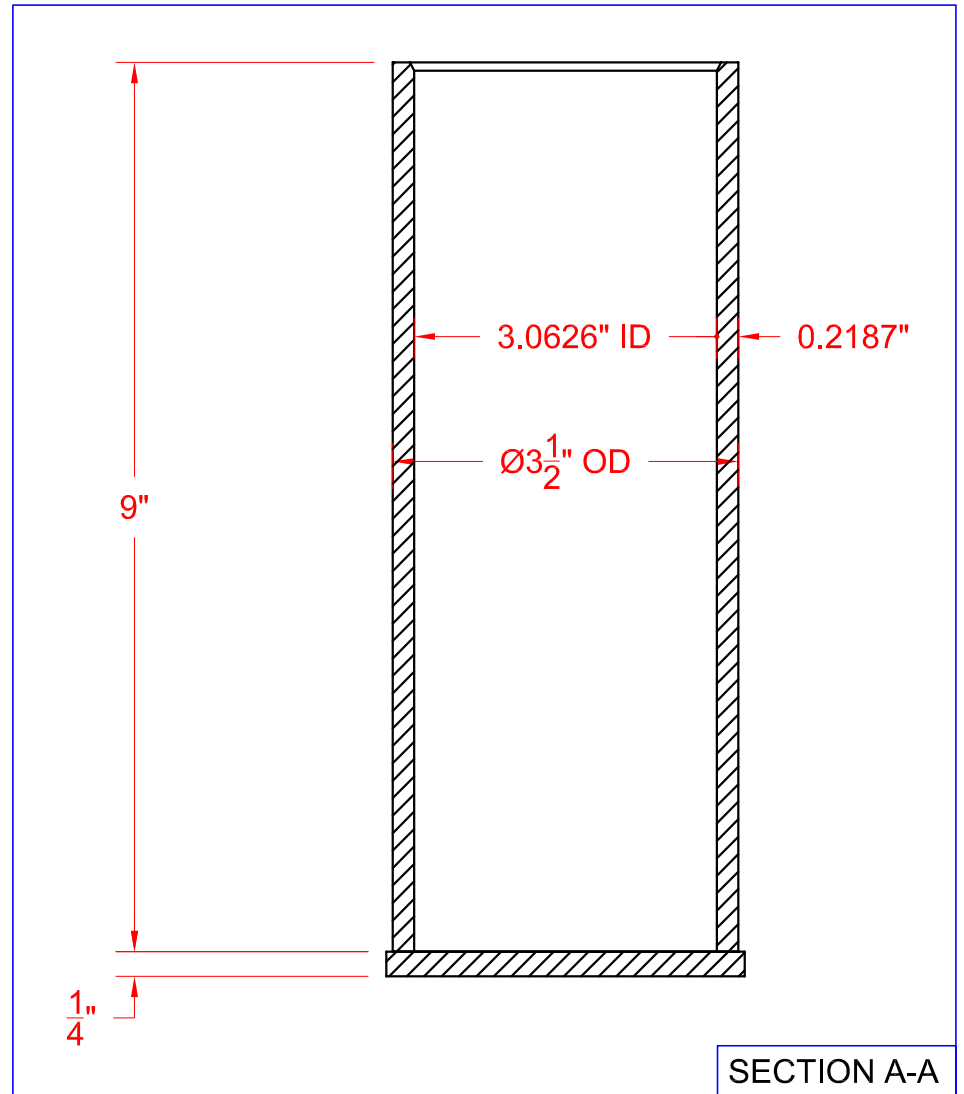
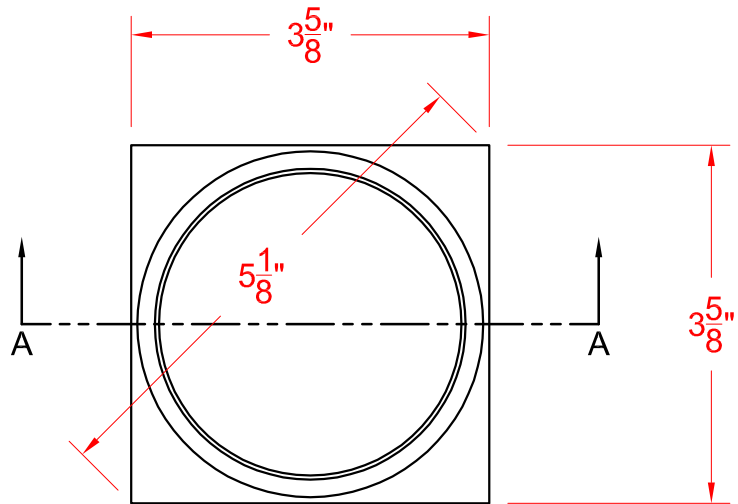
ROUTING

1

REV

A

A	11/01/11	DRAWING RELEASE	ET
REV	DATE	REVISIONS DESCRIPTION	BY CHK'D
DO NOT SCALE DWG, UOS DIMENSIONS ARE IMPERIAL INCHES			



A	02/01/07	DRAWING RELEASE	ET	
REV	DATE	REVISIONS DESCRIPTION	BY	CHK'D
DO NOT SCALE DWG, UOS DIMENSIONS ARE IMPERIAL INCHES				

WORK ORDER / TRACKING NO		QTY REQUIRED		RSL MANUFACTURING Your Sports Facility and Auditorium Specialists Unit 12 - 1601 Church Ave. Winnipeg, Manitoba, Canada, R2X 1G9		1
MATERIAL		TITLE RS-308S STORAGE SOCKET				1
		SCALE	N.T.S.	DWG SHEET NO		ROUTING
		DRAWN BY	ET	1		
		DATE	10/28/05	DWG NO		REV
						A