



**RS 119 HD Side Folding Basketball Backstop:**

**SUPPLY & INSTALL:**

RS 119 HD Heavy Duty Side Folding Basketball Backstop, as supplied by Royal Stewart Ltd.

Frame shall be made of 2" (51 mm) square tubing and mounted to the wall by means of ¼" x 4" (6 mm x 102 mm) steel plates 35" (889 mm) on center.

Stabilizing bars shall be made using 2" (50 mm) tubing and run from the front of the backstop frame up to the wall in a 30-degree angle.

Stabilizers shall be hinge mounted to allow for minor adjustment. Cable bracing shall not be permitted.

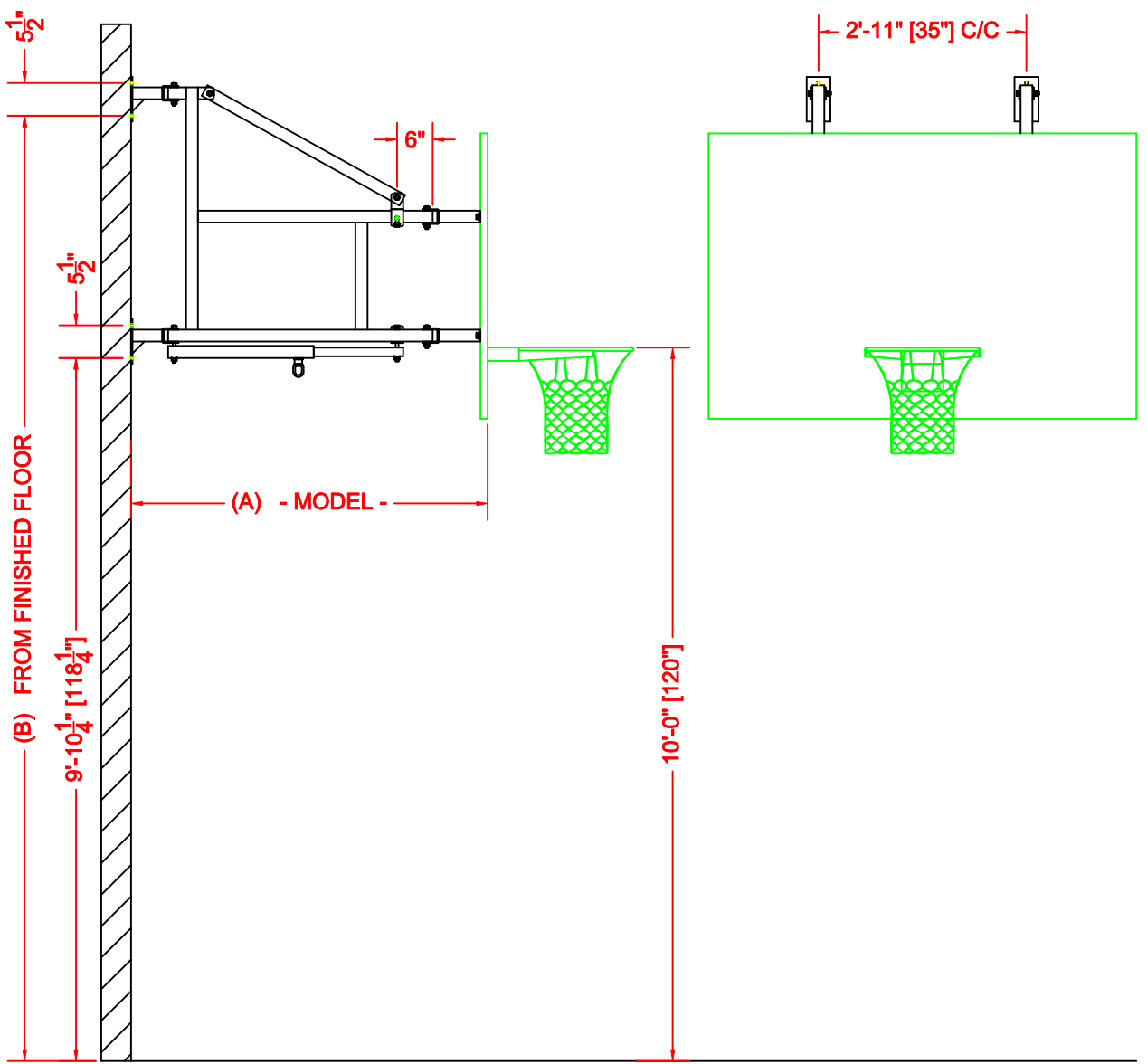
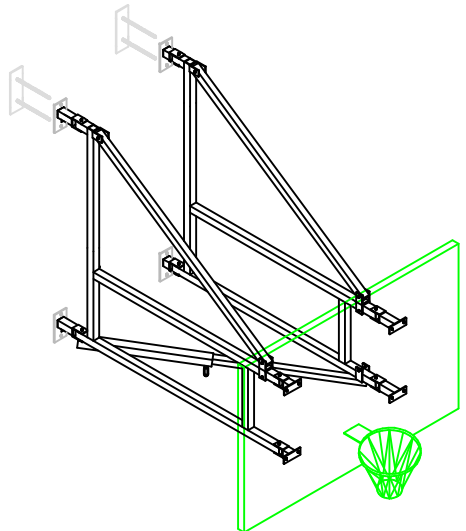
Backstop shall have a built-in spring-loaded locking bar. Release handle shall be supplied.

Backstop shall be painted flat black.

Wall bolts shall be supplied as indicated on the shop drawing for installation by others.

All other accessories to be supplied as specified.

- MODEL -	- A -	- B -
RS-119HD	3'-0" (36")	12'-4" (148")
	3'-6" (42")	12'-6 3/4" (150 3/4")
	4'-0" (48")	12'-9 1/2" (153 1/2")
	4'-6" (54")	13'-0 1/4" (156 1/4")
	5'-0" (60")	13'-3" (159")
	5'-6" (66")	13'-5 3/4" (161 3/4")
	6'-0" (72")	13'-8 1/2" (164 1/2")
	6'-6" (78")	13'-11 1/4" (167 1/4")
	7'-0" (84")	14'-2" (170")
	7'-6" (90")	14'-4 3/4" (172 3/4")
	8'-0" (96")	14'-7 1/2" (175 1/2")
	8'-6" (102")	14'-10 1/4" (178 1/4")
	9'-0" (108")	15'-1" (181")
	9'-6" (114")	15'-3 3/4" (183 3/4")
	10'-0" (120")	15'-6 1/2" (186 1/2")
	10'-6" (126")	15'-9 1/4" (189 1/4")
11'-0" (132")	16'-0" (192")	
11'-6" (138")	16'-2 3/4" (194 3/4")	
12'-0" (144")	16'-5 1/2" (197 1/2")	



WORK ORDER / TRACKING NO      QTY REQUIRED

MATERIAL **FRAME : 2" x 2" SQ. TUBING**

TITLE **RS-119HD - SIDEFOLD BACKSTOP**

**ROYAL STEWART LTD.**  
 Your Sports Facility and Auditorium Specialists  
 240 I-XL Cres. (St. Clements Ind. Park)  
 Lockport, Manitoba, Canada, R1A 3R9

SCALE      N.T.S.  
 DRAWN BY      ET  
 DATE      04/30/04

DWG SHEET NO  
**1**  
 DWG NO

1
1
ROUTING
REV
<b>A</b>

A	04/30/04	DRAWING RELEASE	ET
REV	DATE	REVISIONS DESCRIPTION	BY CHK'D
DO NOT SCALE DWG. UOS DIMENSIONS ARE IMPERIAL INCHES			