

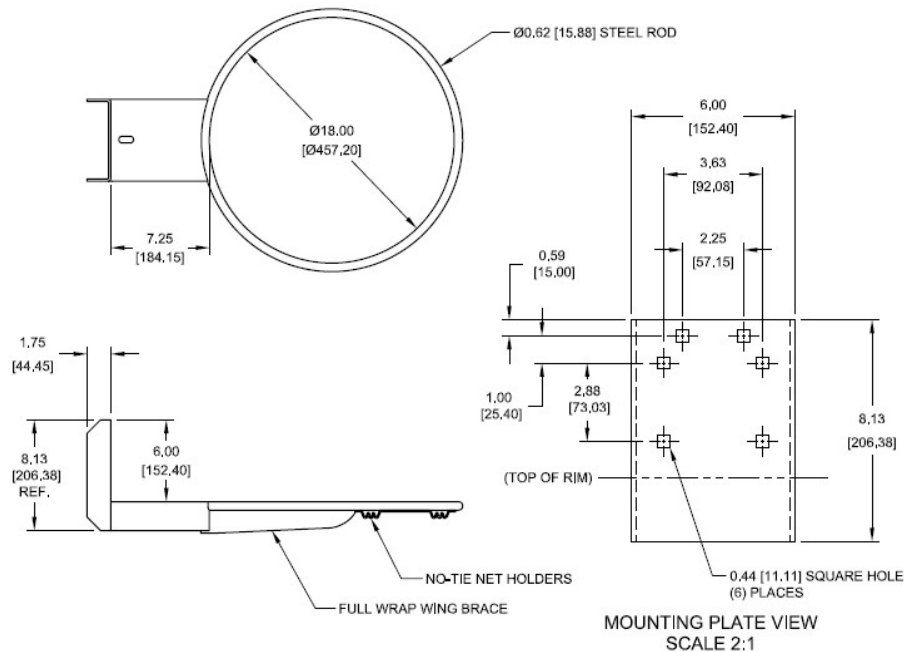
**RS R/M - Rear Mount Goal:**

SUPPLY & INSTALL:

**RS R/M – Rear Mount Goal**

For use on RS 97 RM backboards.

The RS R/M rear mount goal shall be constructed with an official sized 18" ring of 5/8" diameter with continuous no-tie net attachment. Back plate shall be of 7-gauge thickness and 6" wide. Braces shall be 3/16" x 1-1/2" and reinforce ring from beneath ring. Goal shall have a durable orange powder coated finish and come complete with nylon net and hardware. Goal shall have 7/16" square mounting holes.



NOTE:  
 FINISH - OFFICIAL ORANGE POWDER COAT.  
 GOAL IS SUPPLIED WITH NYLON NET AND HARDWARE.

