



## Gymnasium Equipment Specifications

### Floor Sockets and Anchors:

All floor sockets and anchors as supplied by Royal Stewart Ltd.

SUPPLY ONLY:

#### **RS 108 Floor Sockets (for use on hardwood floors)**

Sockets shall consist of steel bottom sleeve with 1.93" (49 mm) ID, and 5" (127 mm) bronze top plate and rim.

#### **RS 100 Floor Sockets (for use on synthetic floors)**

Sockets shall be cast bronze, machined to 1.93" (49 mm) ID and to be supplied complete with drop in caps.

#### **RS 108 S Storage Room Sockets**

Sockets shall consist of steel sleeves with 1.93" (49 mm) ID to be installed in storage room.

#### **RS 308 Floor Sockets (for use on hardwood floors)**

Sockets shall consist of steel bottom sleeve with 3" (915 mm) ID, and 7" (178 mm) bronze top plate and rim.

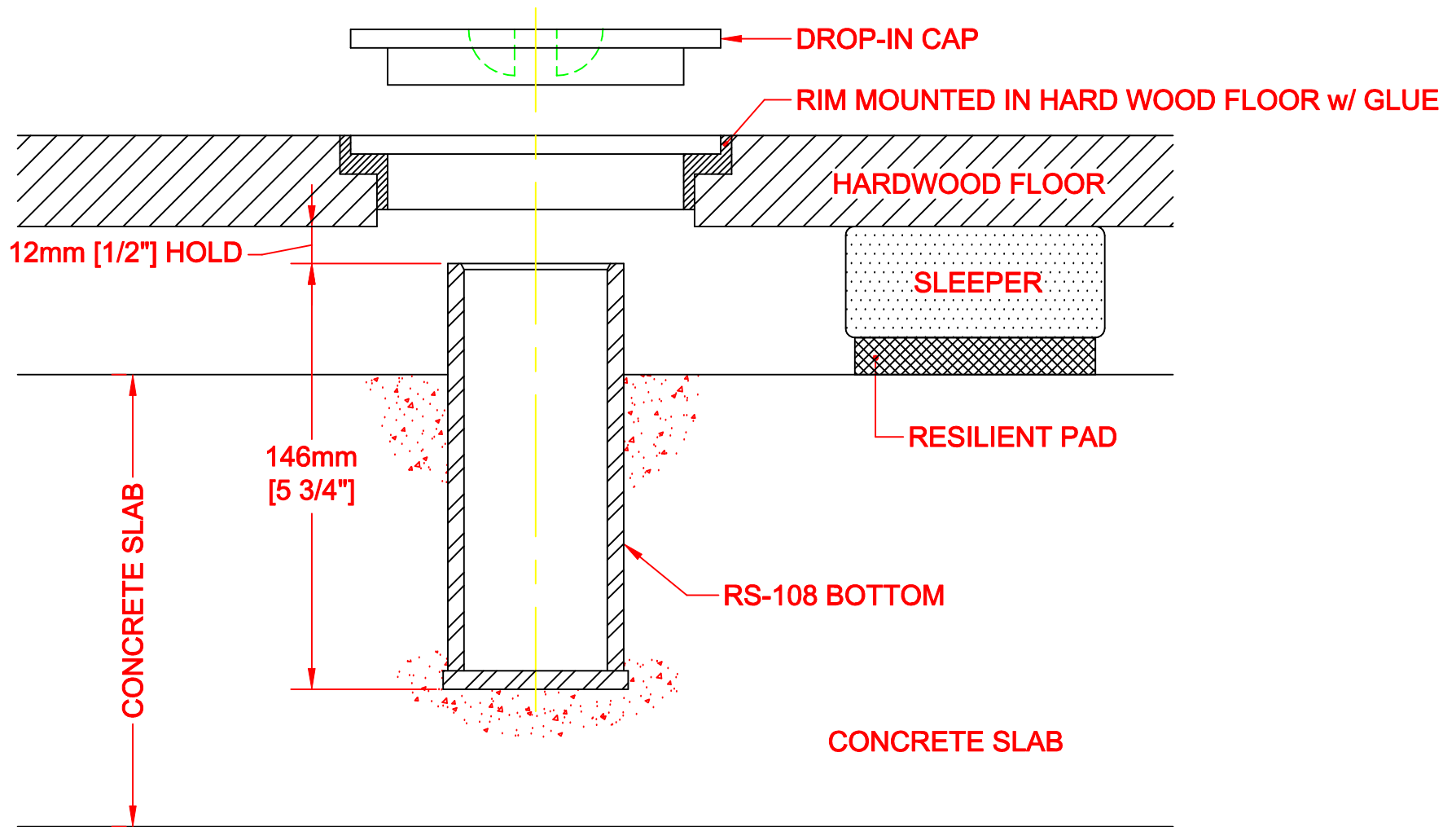
#### **RS 300 Floor Sockets (for use on synthetic floors)**

Sockets shall consist of steel bottom sleeve with 3" (915 mm) ID, and 5" (127 mm) bronze top plate and rim.

#### **RS 308 S Storage Room Sockets**

Sockets shall consist of bottom steel sleeves with 3" (915 mm) ID to be installed in storage room.

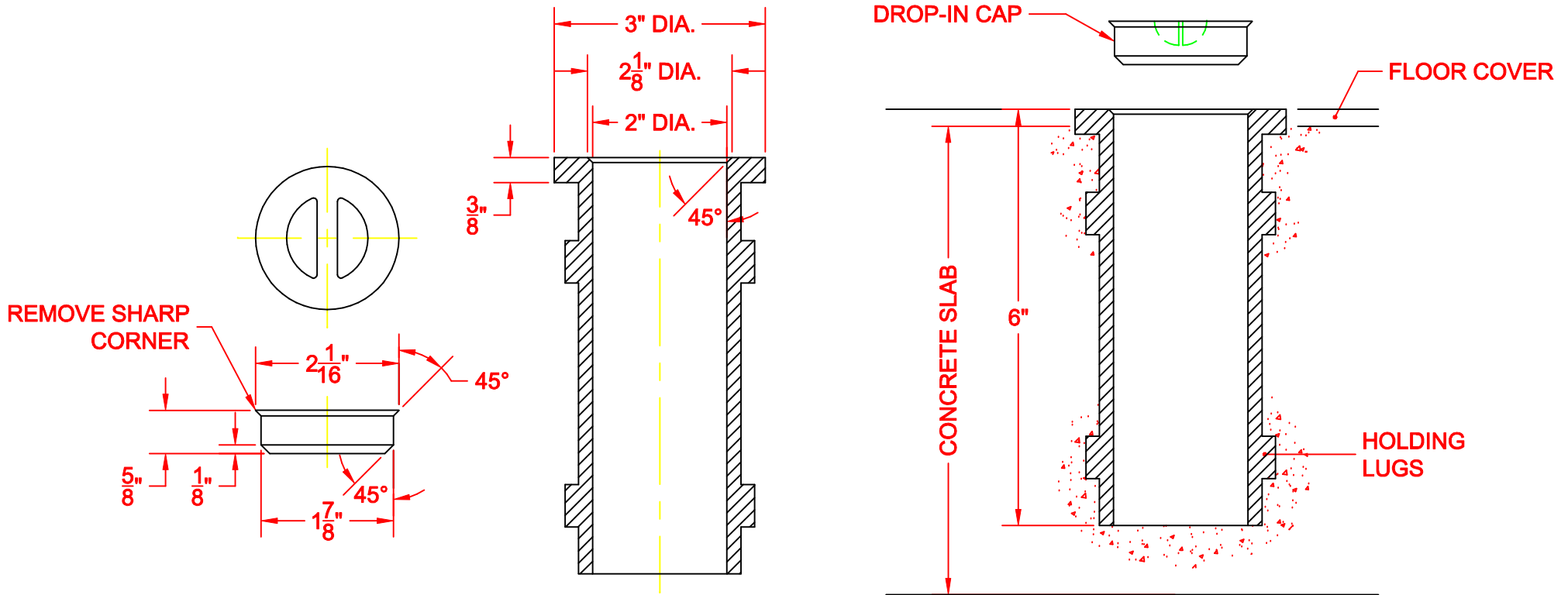
(Minimum height in storage room should be 120" (3048 mm))



**NOTE**  
 POST TO BE USED IN CONJUNCTION  
 WITH THIS SOCKET  
 WILL BE FABRICATED USING 1.9" O.D. TUBING  
 IN ORDER TO OBTAIN A CORRECT FIT

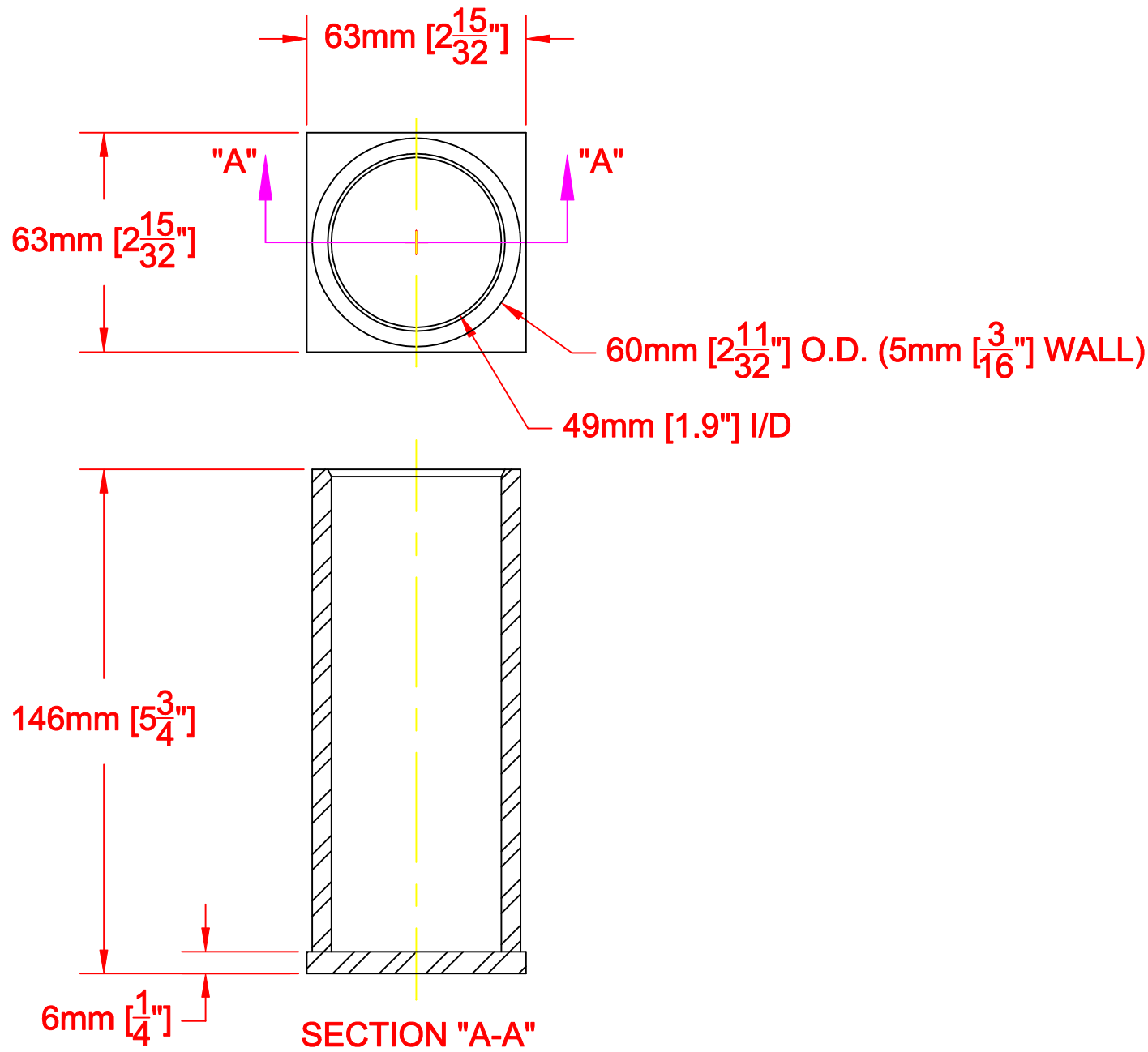
WORK ORDER / TRACKING NO		QTY REQUIRED		<b>ROYAL STEWART LTD.</b> Your Sports Facility and Auditorium Specialists 240 I-XL Cres. (St. Clements Ind. Park) Lockport, Manitoba, Canada, R1A 3R9		1
MATERIAL		TITLE RS-108 FLOOR SOCKETS c/w RING, CAP & SLEEVE				1
SCALE	N.T.S.	DWG SHEET NO		1		REV
DRAWN BY	ET	DWG NO				A
DATE	05/01/03					

A	04/30/04	DRAWING RELEASE	ET
REV	DATE	REVISIONS DESCRIPTION	BY CHK'D
DO NOT SCALE DWG, UOS DIMENSIONS ARE IMPERIAL INCHES			



WORK ORDER / TRACKING NO		QTY REQUIRED		<b>ROYAL STEWART LTD.</b> Your Sports Facility and Auditorium Specialists 240 I-XL Cres. (St. Clements Ind. Park) Lockport, Manitoba, Canada, R1A 3R9		1
MATERIAL		TITLE RS-100 BRONZE FLOOR SOCKET c/w DROP IN CAP				DWG SHEET NO 1
SCALE	N.T.S.	DATE		DWG NO	REV	A
DRAWN BY	ET	09/23/02				

A	04/30/04	DRAWING RELEASE	ET
REV	DATE	REVISIONS DESCRIPTION	BY CHK'D
DO NOT SCALE DWG, UOS DIMENSIONS ARE IMPERIAL INCHES			



WORK ORDER / TRACKING NO	QTY REQUIRED
MATERIAL	
TITLE RS-108S STEEL STORAGE SOCKET	

**ROYAL STEWART LTD.**  
 Your Sports Facility and Auditorium Specialists  
 240 I-XL Cres. (St. Clements Ind. Park)  
 Lockport, Manitoba, Canada, R1A 3R9

SCALE	N.T.S.	DWG SHEET NO	1	ROUTING	1
DRAWN BY	ET	DWG NO		REV	A
DATE	04/29/03				

A	04/30/04	DRAWING RELEASE	ET
REV	DATE	REVISIONS DESCRIPTION	BY CHK'D
DO NOT SCALE DWG, UOS DIMENSIONS ARE IMPERIAL INCHES			