



## Gymnasium Equipment Specification

### RS 112 HD Practice Basketball Backstop

#### SUPPLY & INSTALL:

RS 112 HD Backstop, as supplied by Royal Stewart Ltd.

Framework shall be made using 2" (51 mm) square tubing and mounted to the wall by means of 4" x 7 ½" x ¼" (102 mm x 190 mm x 6 mm) steel wall plates.

Maximum extension of this unit is 36" (914 mm).

Framework shall be painted flat black.

Wall bolts shall be supplied as indicated on the shop drawing, for installation by others.

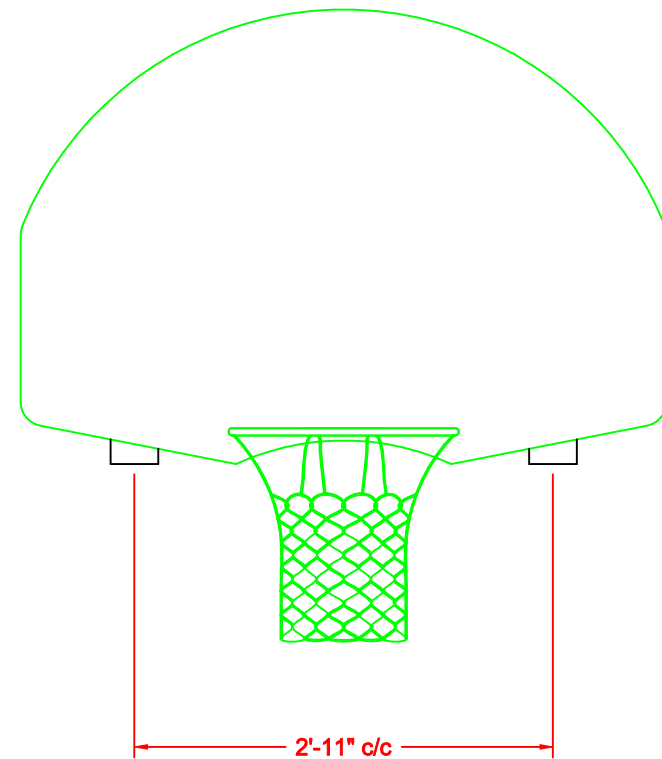
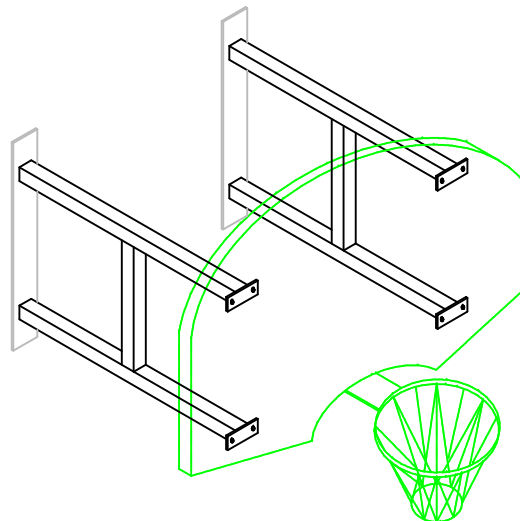
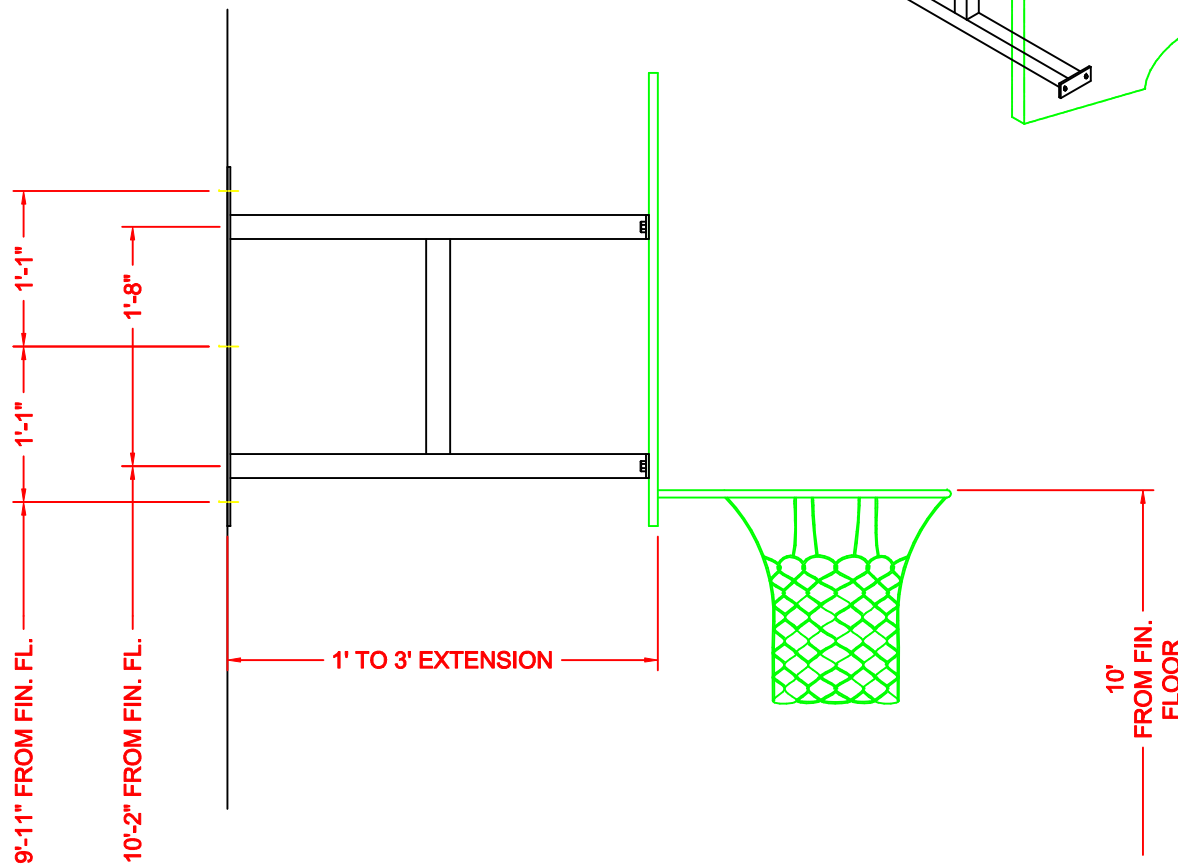
All other accessories to be supplied as specified.

**NOTES:**

- SUFFICIENT REINFORCEMENT OF WALL STRUCTURE TO SUPPORT BACKSTOP FRAME IS THE RESPONSIBILITY OF OTHERS.
- MOUNTING STRENGTH IS THE RESPONSIBILITY OF INSTALLER.
- RECOMMENDED WALL MOUNTING (NIC):
  - BOLT THROUGH WALL WITH SUFFICIENT BACKUP PLATES.
  - USE 13mm DIA. BOLTS, OR AS REQUIRED.
  - PLACEMENT MUST BE EXACT.

**SPECIFICATIONS:**

STEEL STRINGERS-1/4" x 4" x 30" H.R. STEEL  
 FRAMES-2" x 2" SQUARE TUBING



A	05/17/02	DRAWING RELEASE	ET
REV	DATE	REVISIONS DESCRIPTION	BY CHK'D
DO NOT SCALE DWG. UOS DIMENSIONS ARE IMPERIAL INCHES			

WORK ORDER / TRACKING NO	QTY REQUIRED
MATERIAL	
TITLE RS-112HD PRACTICE BACKSTOP	

<b>ROYAL STEWART LTD.</b> Your Sports Facility and Auditorium Specialists 240 I-XL Cres. (St. Clements Ind. Park) Lockport, Manitoba, Canada, R1A 3R9		1
		1
SCALE N.T.S.	DWG SHEET NO	ROUTING
DRAWN BY ET	DWG NO	REV
DATE 05/17/02		A