



Gymnasium Equipment Specification

RS 119 HD Side Folding Basketball Backstop

SUPPLY & INSTALL:

RS 119 HD Backstop, as supplied by Royal Stewart Ltd.

Frame shall be made of 2" (51 mm) square tubing and mounted to the wall by means of ¼" x 4" (6 mm x 102 mm) steel plates 35" (889 mm) on center.

Stabilizing bars shall be made using 2" (50 mm) tubing and run from the front of the backstop frame up to the wall in a 30-degree angle.

Stabilizers shall be hinge mounted to allow for minor adjustment. Cable bracing shall not be permitted.

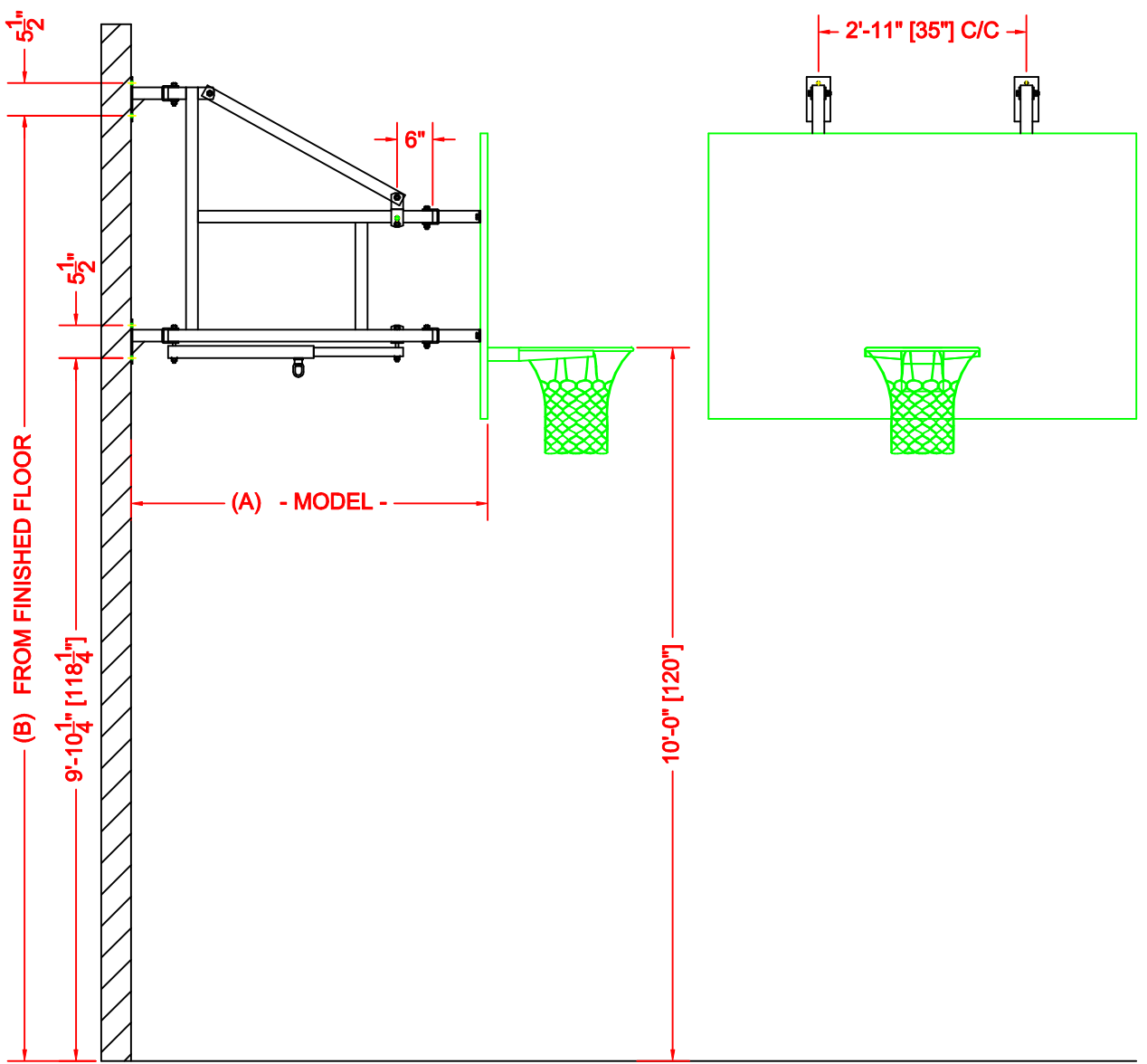
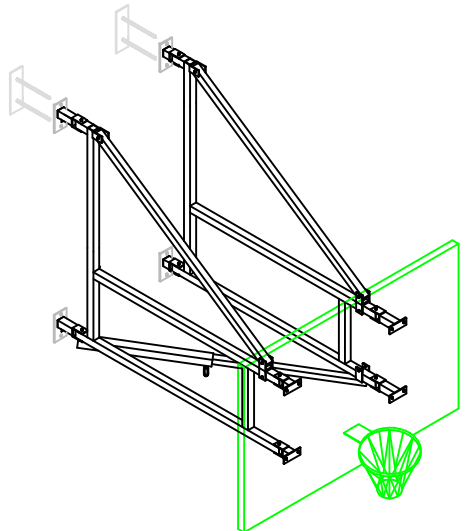
Backstop shall have a built-in spring-loaded locking bar. Release handle shall be supplied.

Backstop shall be painted flat black.

Wall bolts shall be supplied as indicated on the shop drawing for installation by others.

Accessories to be supplied as specified.

- MODEL -	- A -	- B -
RS-119HD	3'-0" (36")	12'-4" (148")
	3'-6" (42")	12'-6 3/4" (150 3/4")
	4'-0" (48")	12'-9 1/2" (153 1/2")
	4'-6" (54")	13'-0 1/4" (156 1/4")
	5'-0" (60")	13'-3" (159")
	5'-6" (66")	13'-5 3/4" (161 3/4")
	6'-0" (72")	13'-8 1/2" (164 1/2")
	6'-6" (78")	13'-11 1/4" (167 1/4")
	7'-0" (84")	14'-2" (170")
	7'-6" (90")	14'-4 3/4" (172 3/4")
	8'-0" (96")	14'-7 1/2" (175 1/2")
	8'-6" (102")	14'-10 1/4" (178 1/4")
	9'-0" (108")	15'-1" (181")
	9'-6" (114")	15'-3 3/4" (183 3/4")
	10'-0" (120")	15'-6 1/2" (186 1/2")
	10'-6" (126")	15'-9 1/4" (189 1/4")
11'-0" (132")	16'-0" (192")	
11'-6" (138")	16'-2 3/4" (194 3/4")	
12'-0" (144")	16'-5 1/2" (197 1/2")	



WORK ORDER / TRACKING NO	QTY REQUIRED
MATERIAL FRAME : 2" x 2" SQ. TUBING	
TITLE RS-119HD - SIDEFOLD BACKSTOP	

ROYAL STEWART LTD. Your Sports Facility and Auditorium Specialists 240 I-XL Cres. (St. Clements Ind. Park) Lockport, Manitoba, Canada, R1A 3R9		1
SCALE N.T.S.	DWG SHEET NO 1	ROUTING 1
DRAWN BY ET	DWG NO	REV A
DATE 04/30/04		

A	04/30/04	DRAWING RELEASE	ET
REV	DATE	REVISIONS DESCRIPTION	BY CHK'D
DO NOT SCALE DWG. UOS DIMENSIONS ARE IMPERIAL INCHES			