



Gymnasium Equipment Specifications

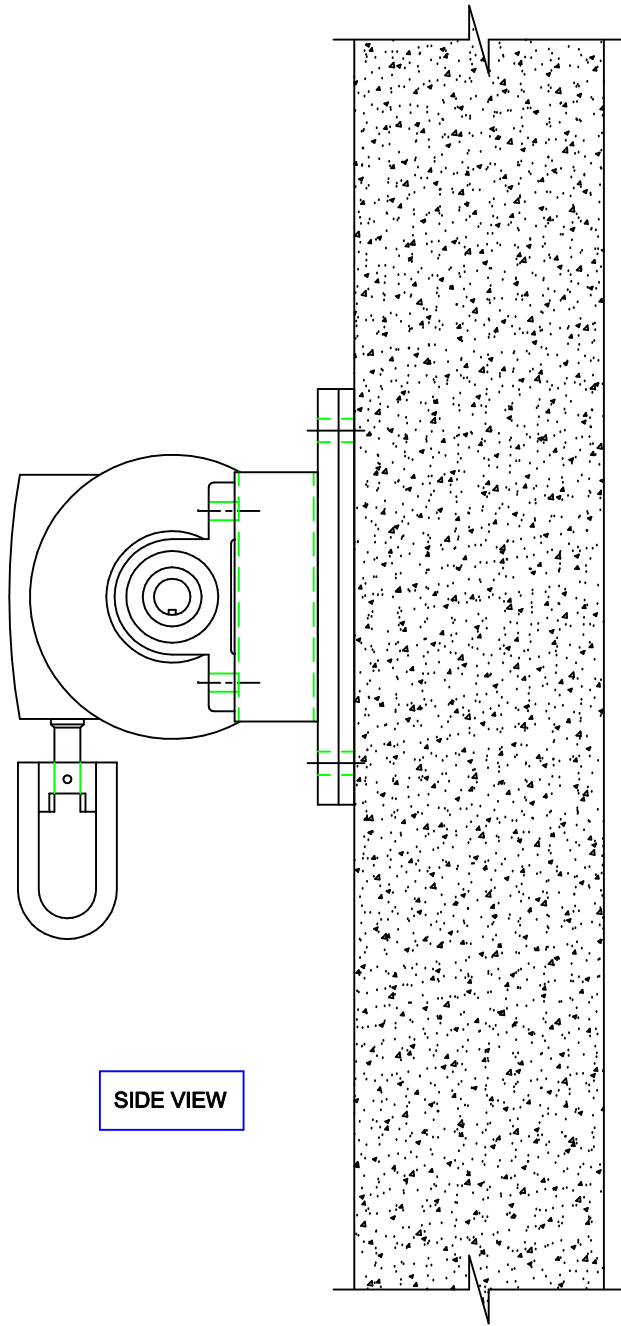
RS 121 Manual Winch

SUPPLY ONLY:

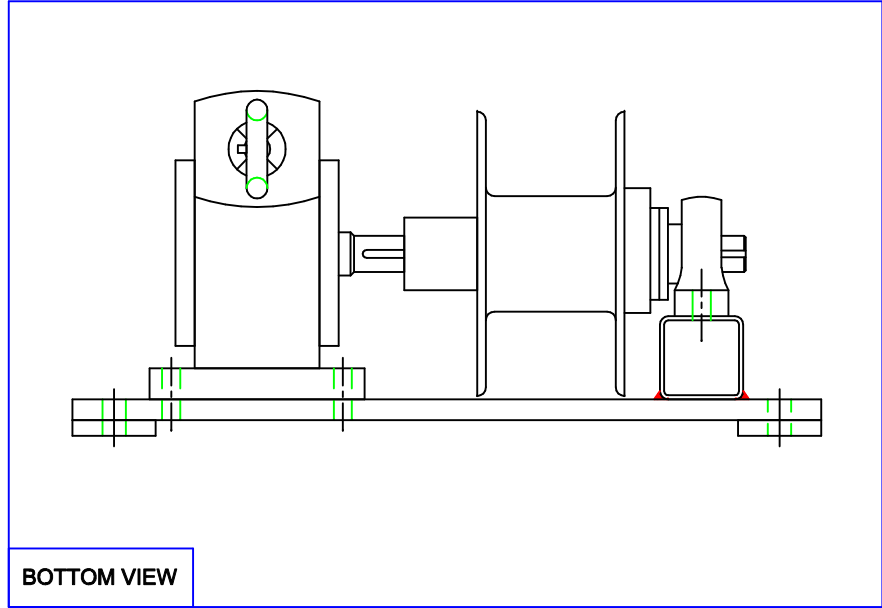
RS 121 Manual "oil bath" winch as supplied by Royal Stewart Ltd. Winch to consist of steel mounting plate with aluminum sides and 4" drum. Steel worm and gear with ratio 60 : 1 to hold backstop in any position and to act as a self locking mechanism. Cable capacity on the drum 125 feet (3/16" steel cable). Manual winch must be mounted securely to wall. Auger type handle to be supplied with winch.

Leaders in Auditorium and Sports Facilities
Spectator Seating / Basketball Backstops / Scoreboards / Gym Dividers / Volleyball Post Systems
Safety Inspections / Service / Maintenance / Playgrounds

For Over 45 Years



SIDE VIEW



BOTTOM VIEW

A	02/11/08	DRAWING RELEASE	ET
REV	DATE	REVISIONS DESCRIPTION	BY CHK'D
DO NOT SCALE DWG, UOS DIMENSIONS ARE IMPERIAL INCHES			

WORK ORDER / TRACKING NO	QTY REQUIRED
--------------------------	--------------

MATERIAL
TITLE RS-121A REDUCER MANUAL WINCH ASSEMBLY

ROYAL STEWART LTD. Your Sports Facility and Auditorium Specialists 240 I-XL Cres. (St. Clements Ind. Park) Lockport, Manitoba, Canada, R1A 3R9		1
SCALE N.T.S.	DWG SHEET NO 1	ROUTING
DRAWN BY ET	DWG NO KPB-8219	REV A
DATE 02/11/08		