



Gymnasium Equipment Specifications

RS 124 Climbing Rope Track

SUPPLY & INSTALL:

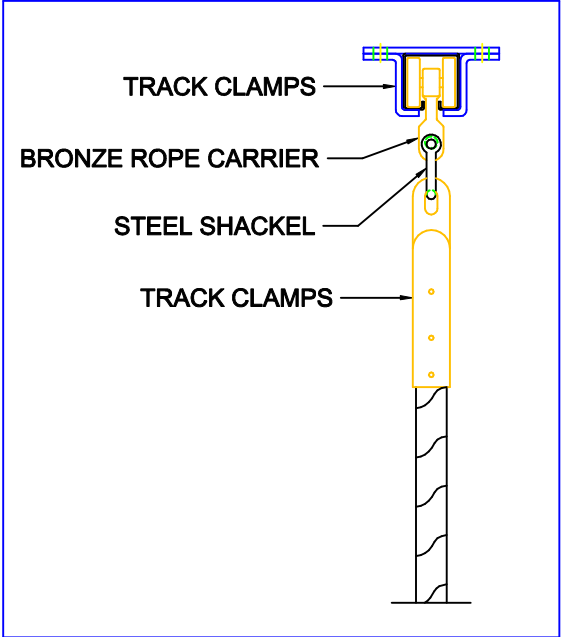
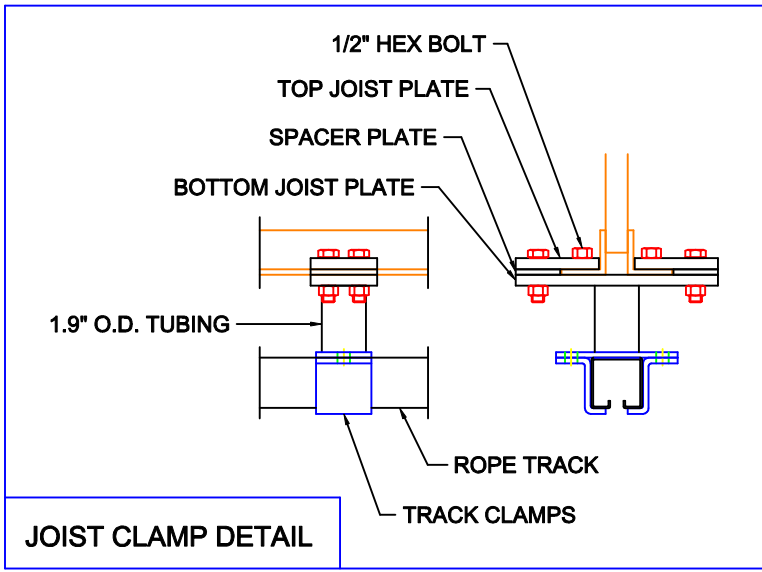
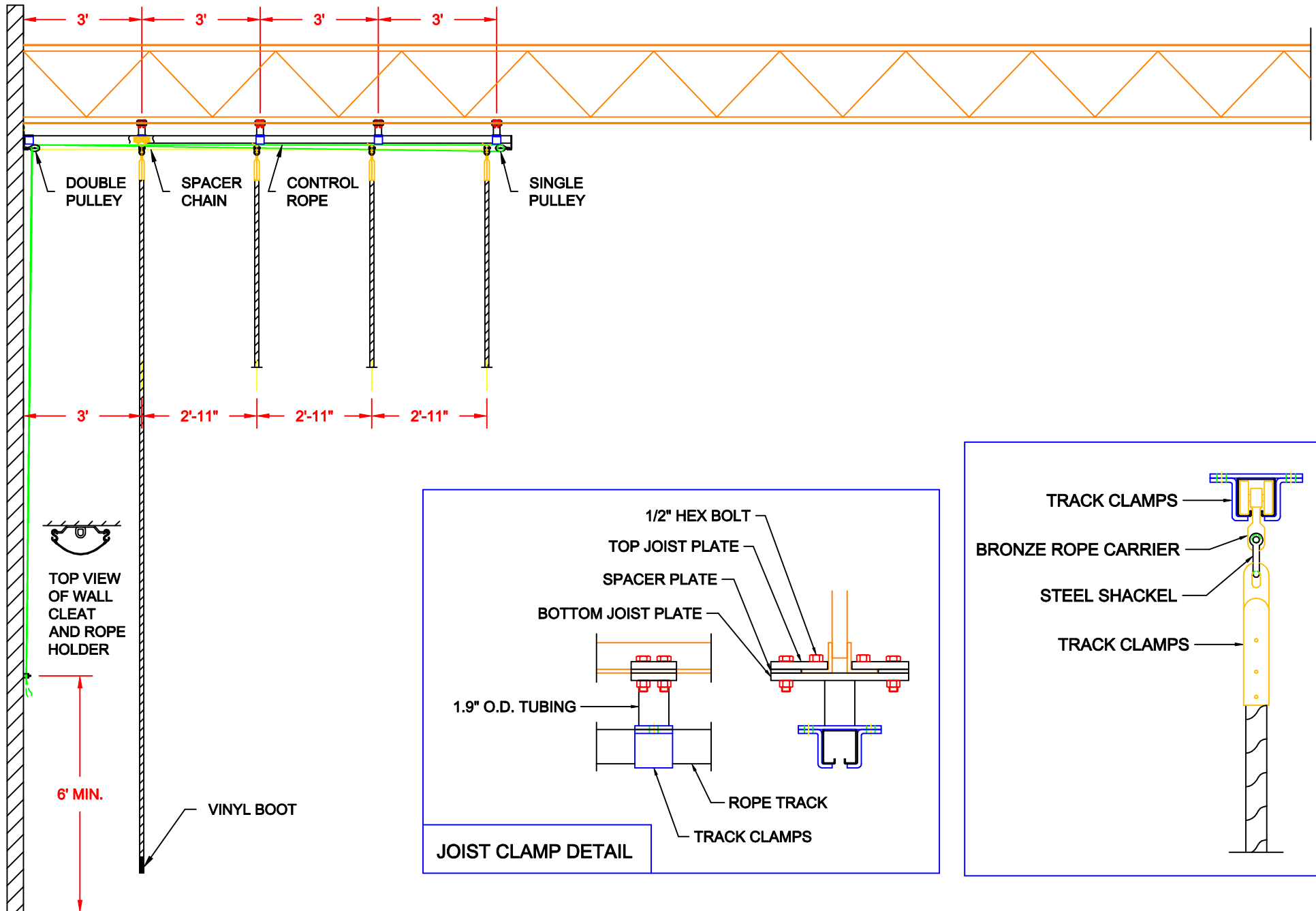
RS 124 Climbing rope track as supplied by Royal Stewart Ltd.

Track shall be made of 16 gauge steel, and mounted to ceiling by means of clamps, 36" (915 mm) on center.

Rope trolleys shall be solid bronze, with four nylon wheels each, and a load capacity of 1200 pounds per trolley.

All ropes shall be 1 ¼" (32 mm) hemp, suspended from trolleys by means of bronze rope clamps. Bottom of ropes shall be finished with a vinyl boot.

Rope track shall come complete with nylon control rope, and wall mounted rope holder.



WORK ORDER / TRACKING NO	QTY REQUIRED
--------------------------	--------------

MATERIAL

TITLE **RS-124-4 FOUR STATION CLIMBING ROPE TRACK**

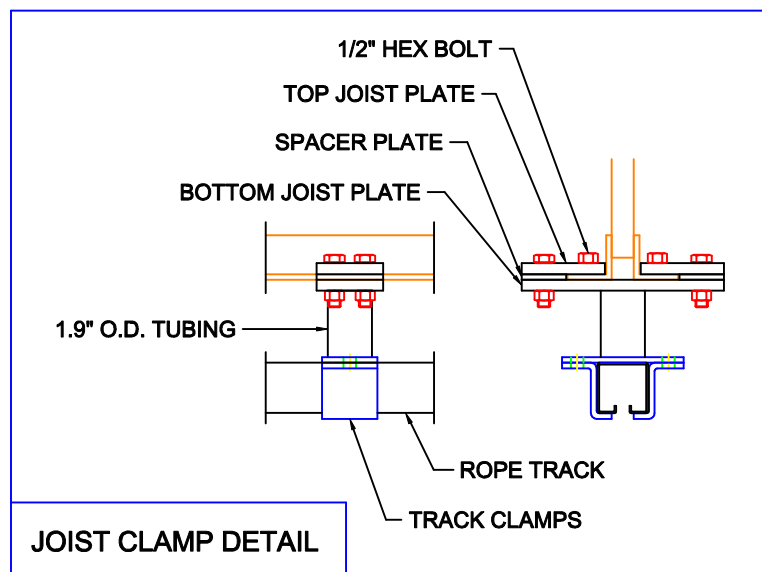
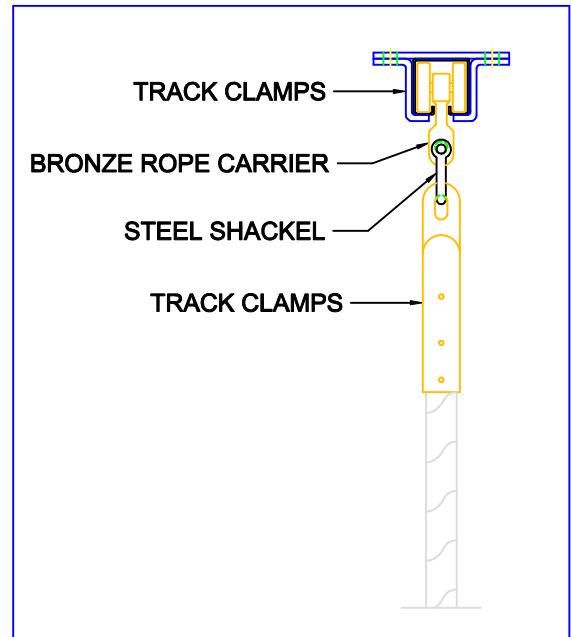
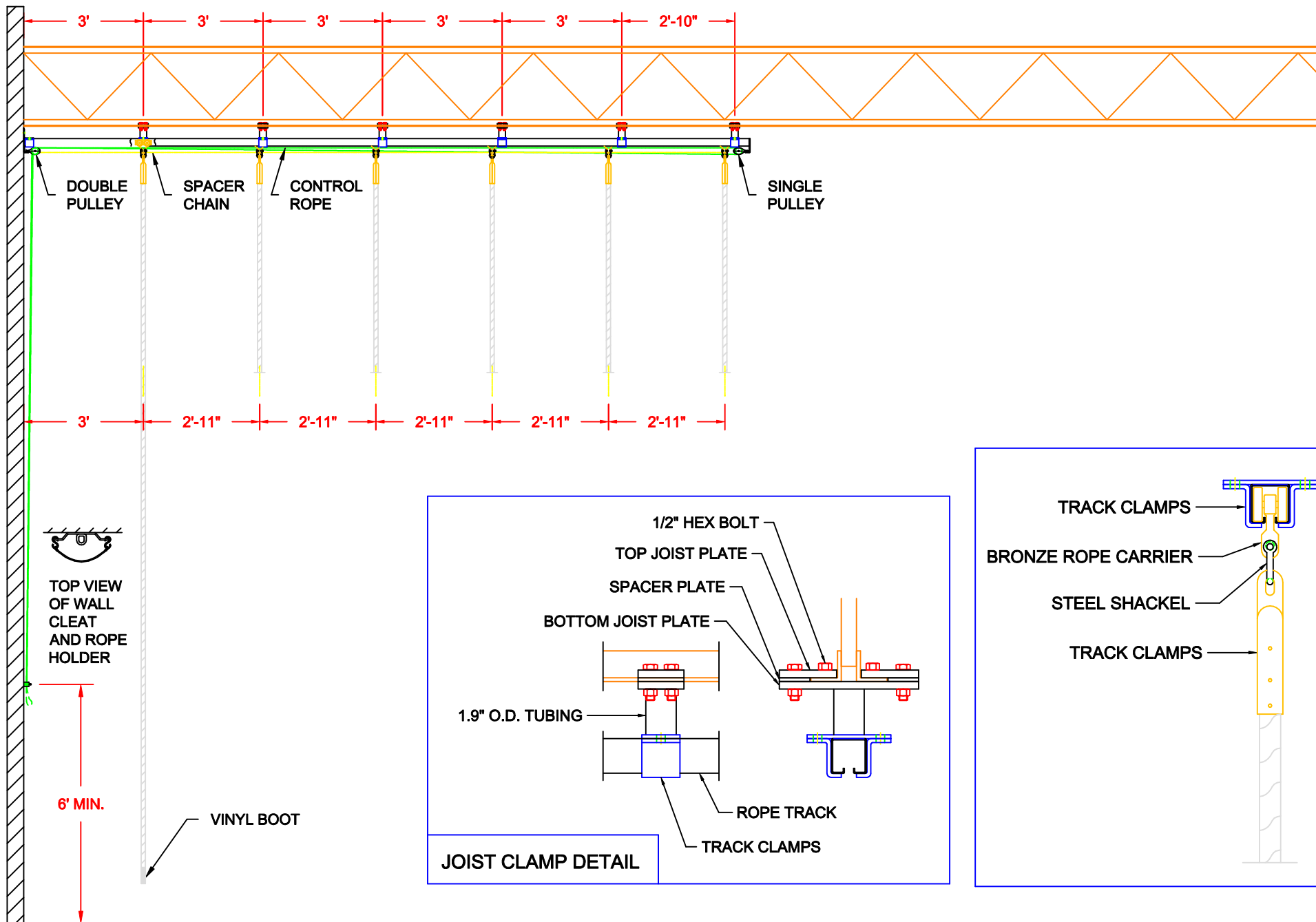
ROYAL STEWART LTD.
 Your Sports Facility and Auditorium Specialists
 240 I-XL Cres. (St. Clements Ind. Park)
 Lockport, Manitoba, Canada, R1A 3R9

SCALE N.T.S.
 DRAWN BY ET
 DATE 09/23/02

DWG SHEET NO 1
 DWG NO

ROUTING
 1
 1
 REV
 A

A	04/30/04	DRAWING RELEASE	ET
REV	DATE	REVISIONS DESCRIPTION	BY CHK'D
DO NOT SCALE DWG. UOS DIMENSIONS ARE IMPERIAL INCHES			



WORK ORDER / TRACKING NO	QTY REQUIRED
--------------------------	--------------

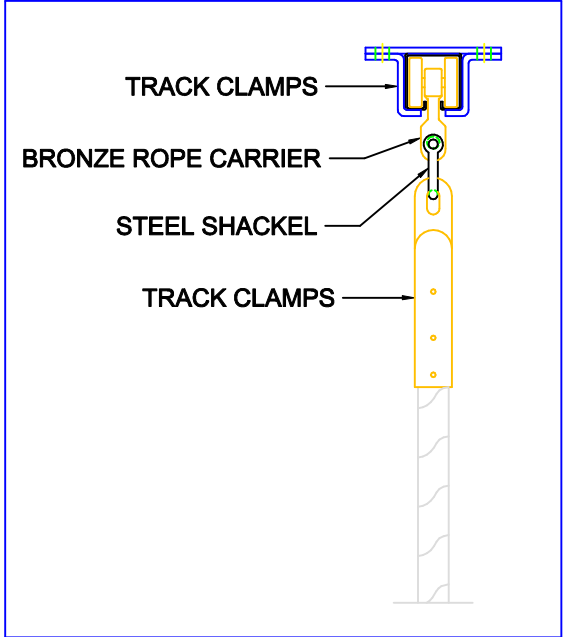
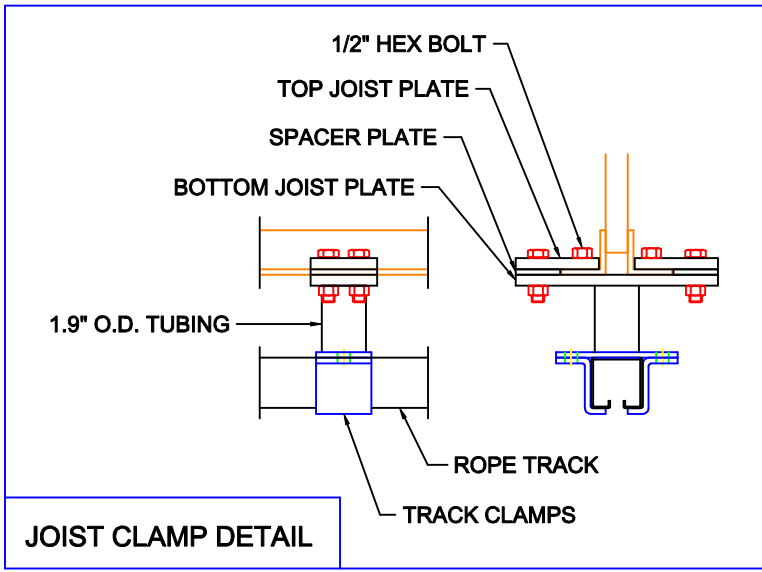
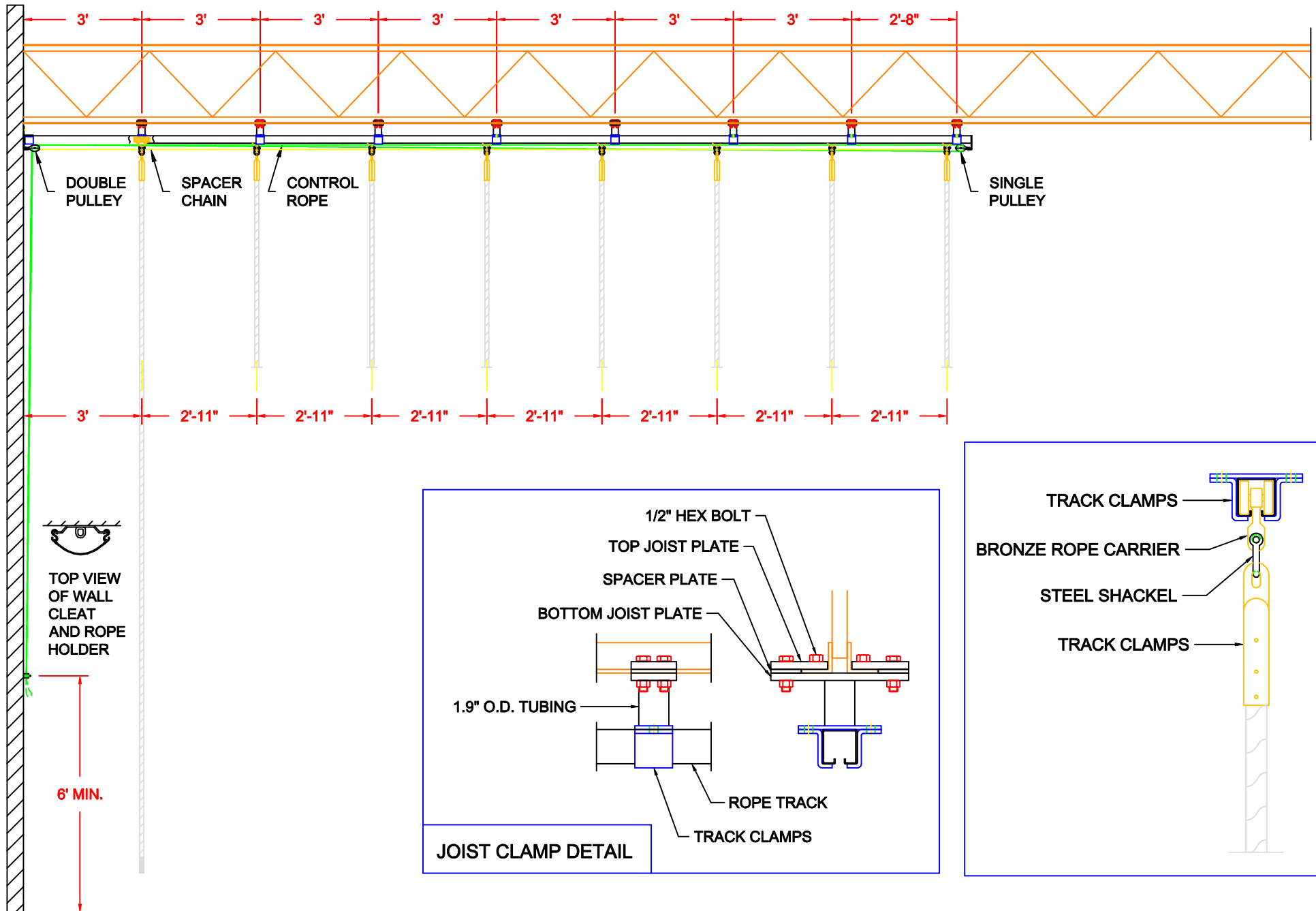
MATERIAL

TITLE **RS-124-6 SIX STATION CLIMBING ROPE TRACK**

ROYAL STEWART LTD.
 Your Sports Facility and Auditorium Specialists
 240 I-XL Cres. (St. Clements Ind. Park)
 Lockport, Manitoba, Canada, R1A 3R9

SCALE	N.T.S.	DWG SHEET NO	1	ROUTING	1
DRAWN BY	ET	DWG NO		REV	A
DATE	09/23/02				

A	04/30/04	DRAWING RELEASE	ET
REV	DATE	REVISIONS DESCRIPTION	BY CHK'D
DO NOT SCALE DWG. UOS DIMENSIONS ARE IMPERIAL INCHES			



WORK ORDER / TRACKING NO	QTY REQUIRED
--------------------------	--------------

MATERIAL	
----------	--

TITLE	RS-124-8 EIGHT STATION CLIMBING ROPE TRACK
-------	--

ROYAL STEWART LTD.
 Your Sports Facility and Auditorium Specialists
 240 I-XL Cres. (St. Clements Ind. Park)
 Lockport, Manitoba, Canada, R1A 3R9

SCALE	N.T.S.
DRAWN BY	ET
DATE	09/23/02

DWG SHEET NO	1
DWG NO	

ROUTING	1
REV	A

A	04/30/04	DRAWING RELEASE	ET
REV	DATE	REVISIONS DESCRIPTION	BY CHK'D
DO NOT SCALE DWG. UOS DIMENSIONS ARE IMPERIAL INCHES			