

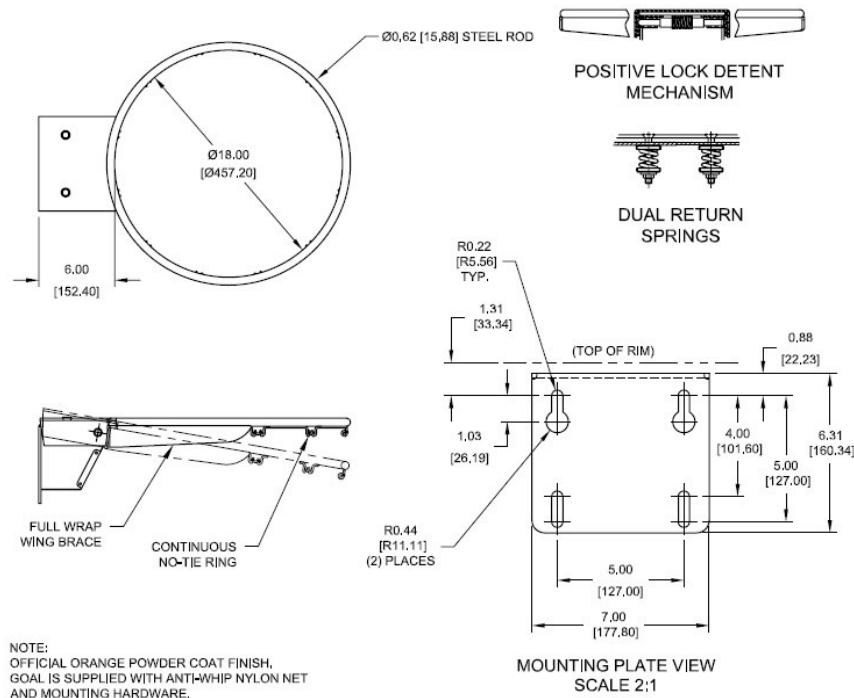
RS 2000 Front Mount Breakaway Goal

SUPPLY & INSTALL:

RS 2000 – Front Mount Breakaway Goal

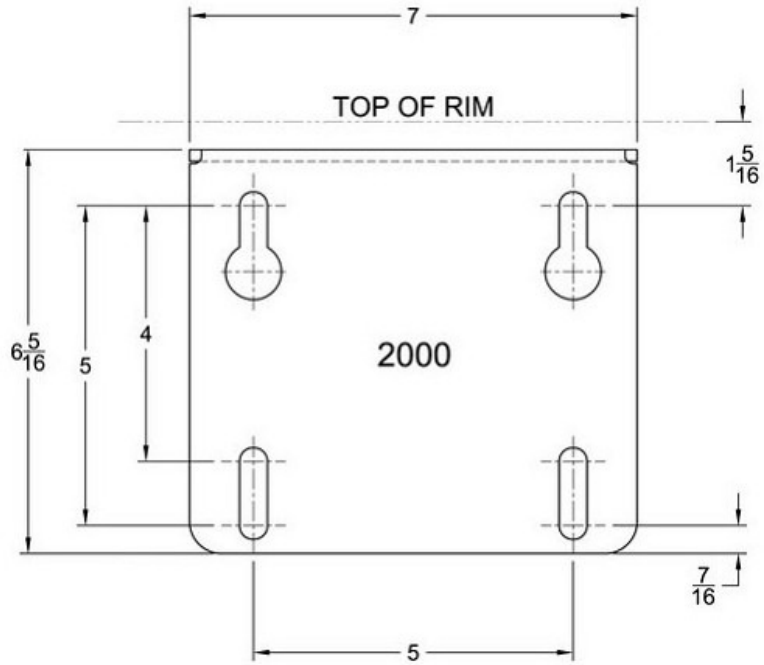
For use on RS 93, RS 94, RS 95, RS 96, and most 42" and 48" rectangular and fan-shaped backboards

The RS 2000 goal shall be constructed with an enclosed positive lock mechanism to hold rim in solid playing position. Goal shall be designed so that any possible entrapment areas have been eliminated. Goal shall have official size 18" ring of 5/8" diameter steel with continuous no-tie net attachment, full wing brace design, and a durable orange powder coated finish. Anti-whip net and hardware shall be included. Hole spacing shall be 5" x 5". Goal shall meet NCAA and high school specifications.



Leaders in Auditorium and Sports Facilities
Spectator Seating / Basketball Backstops / Scoreboards / Gym Dividers / Volleyball Post Systems
Safety Inspections / Service / Maintenance / Playgrounds

For Over 45 Years



Leaders in Auditorium and Sports Facilities
 Spectator Seating / Basketball Backstops / Scoreboards / Gym Dividers / Volleyball Post Systems
 Safety Inspections / Service / Maintenance / Playgrounds

For Over 45 Years