



RS 2520 “Pro-Spike-2” Volleyball Standards:

SUPPLY ONLY:

RS 2520 single post Pro-Spike-2 Aluminum Volleyball posts as supplied by Royal Stewart Ltd., Winnipeg, MB.

Posts shall be made of 3” round aluminum tubing with telescoping insert complete with internal spring mechanism.

Lower post assemblies and top inserts shall be powder coated for durability of finish.

Winched post shall be equipped with 1 only RS250HD 10,000 lb capacity heavy-duty manual winch c/w 2” strap leader. Non-winched end post shall have fully enclosed safety hook assemblies. Open hook assemblies not acceptable.

Available net heights shall be as recommended by the Canadian Volleyball Association.

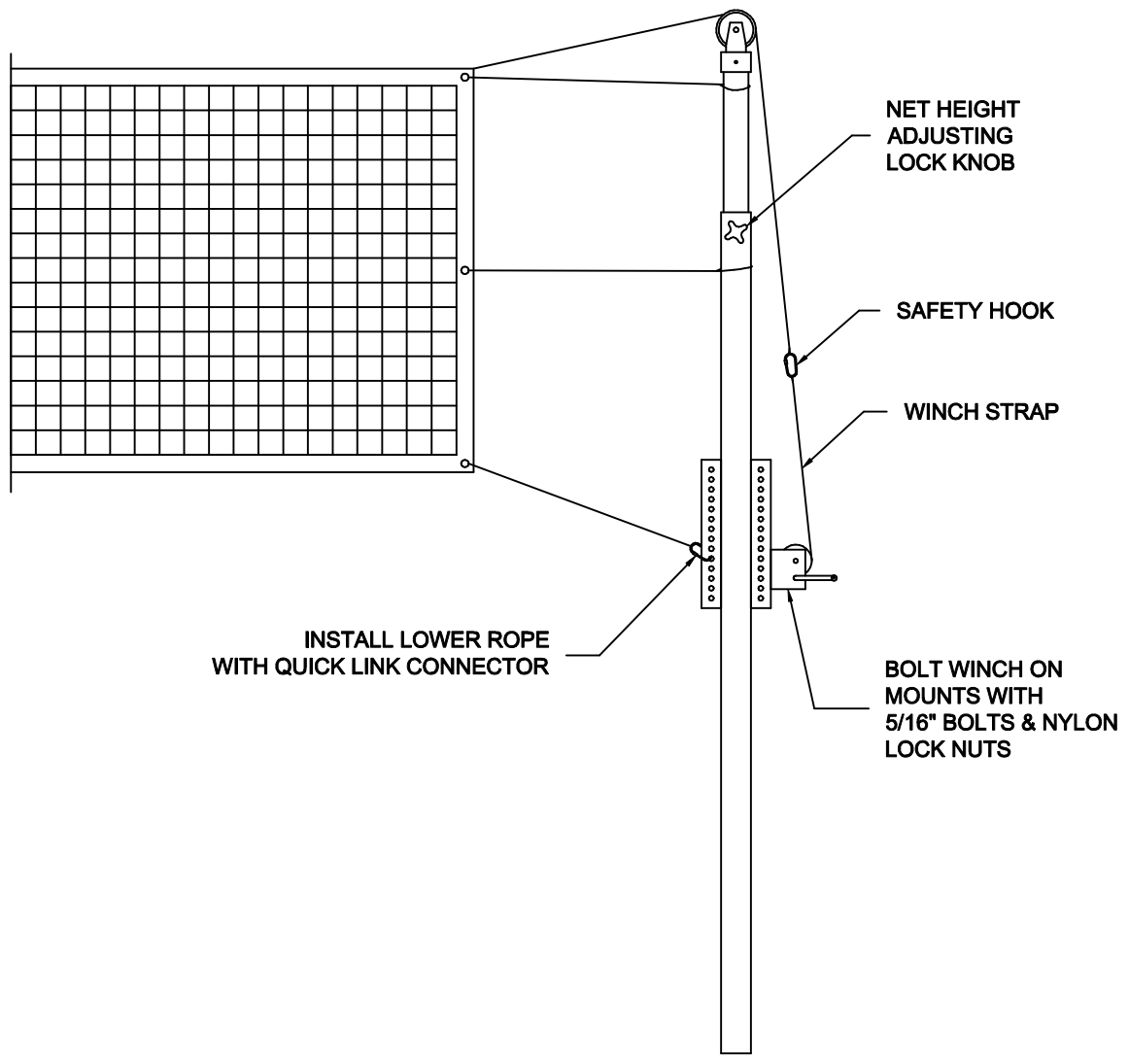
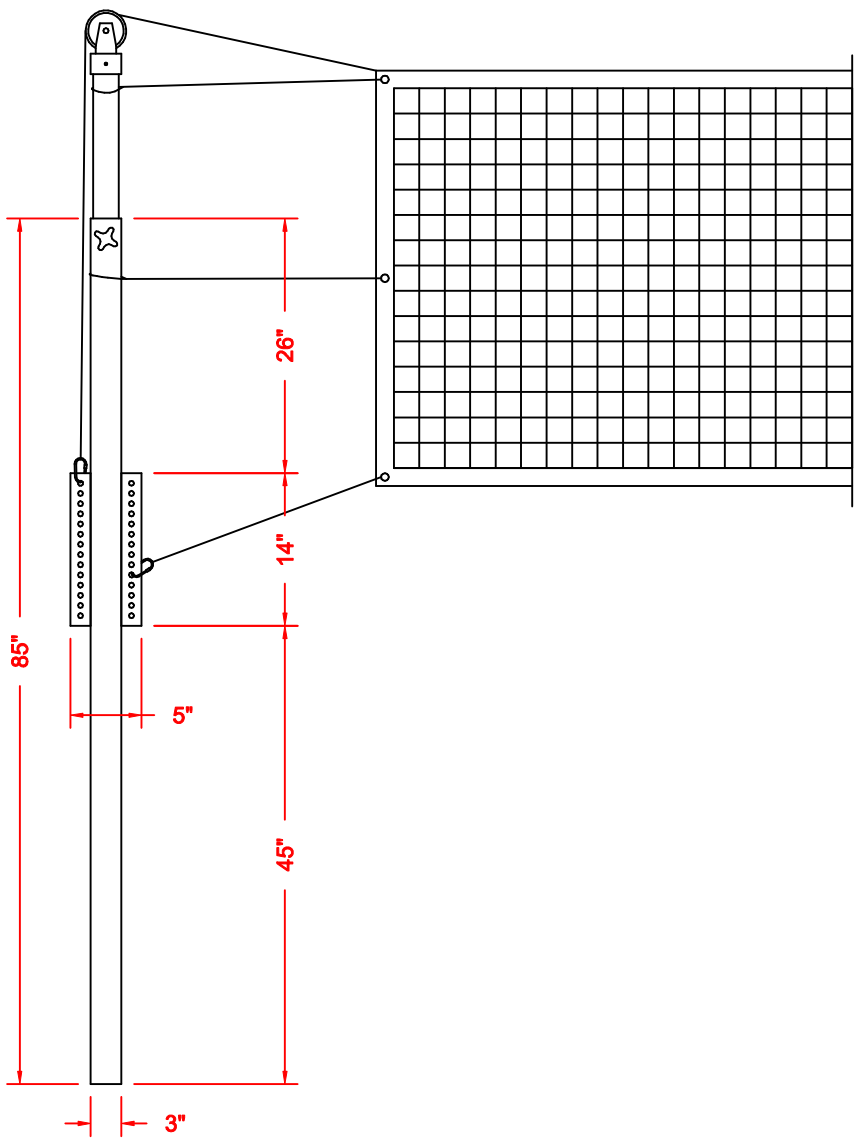
<u>Category</u>	<u>Age at Dec. 31</u>	<u>Male</u>	<u>Female</u>
Mini V/Ball	9 – 12	2.10M	2.10M
Bantam	13 – 14	2.20M	2.10M
Midget	15 – 16	2.34M	2.10M
Juvenile	17 – 18	2.43M	2.24M
Junior	19 – 20	2.43M	2.24M
Senior	21 -	2.43M	2.24M

Additional Heights – 4” (102 mm) extra for training, 60” (1524 mm) height for Badminton.

To fit RS 300 Floor Socket (synthetic flooring), RS 308 Floor Socket (hardwood flooring) and RS 308 S storage socket.

Center post c/w with one (1) only RS 250HD 10,000 lb capacity heavy-duty manual winch c/w 2” (51 mm) strap leader.

Full wrap-around post padding, integrated referee stand, RS CN collegiate nets are optional.



WORK ORDER / TRACKING NO		QTY REQUIRED		ROYAL STEWART LTD. Your Sports Facility and Auditorium Specialists 240 I-XL Cres. (St. Clements Ind. Park) Lockport, Manitoba, Canada, R1A 3R9		1
MATERIAL		TITLE RS-2520 PRO SPIKE VOLLEYBALL POST				1
SCALE		N.T.S.		DWG SHEET NO		ROUTING
DRAWN BY		ET		DWG NO		REV
DATE		09/29/04				A

A	09/29/04	DRAWING RELEASE	ET
REV	DATE	REVISIONS DESCRIPTION	BY
			CHK'D

DO NOT SCALE DWG. UOS DIMENSIONS ARE IMPERIAL INCHES