



Gymnasium Equipment Specifications

RS 29 Wall Adjustable Chinning Bar

SUPPLY & INSTALL:

RS 29 Wall adjustable chinning bar as supplied by Royal Stewart Ltd.

Chinning bar shall be 1 ¼" (32 mm) OD x 36" (914 mm) long, and suspended 14" (355 mm) from and parallel to the wall surface.

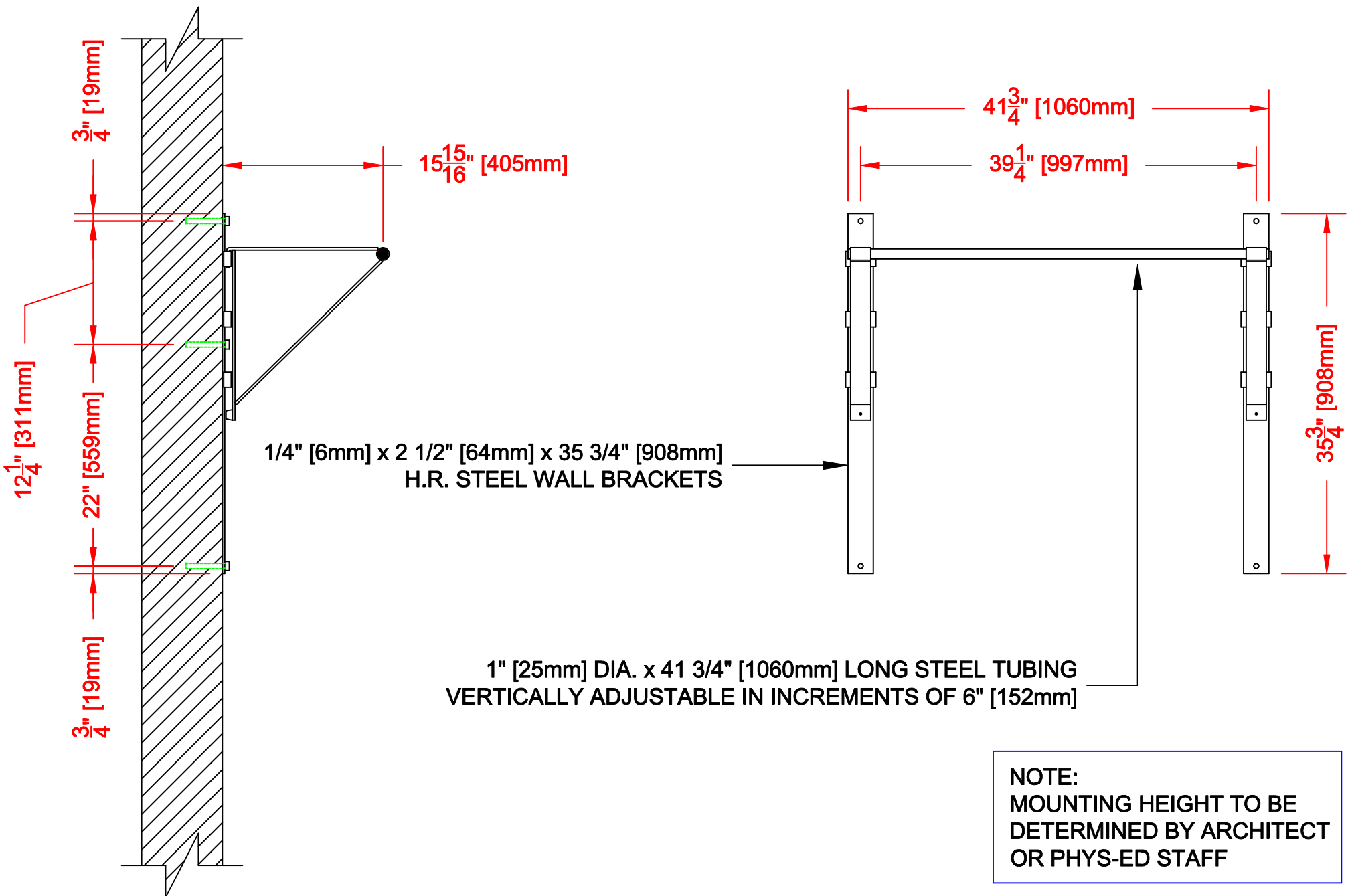
Bar shall be adjustable to three positions in increments of 7" (178 mm).

Wall pads are manufactured from 3" (76 mm) wide flat steel.

When not in use chinning bar can be removed and stored.

Leaders in Auditorium and Sports Facilities
Spectator Seating / Basketball Backstops / Scoreboards / Gym Dividers / Volleyball Post Systems
Safety Inspections / Service / Maintenance / Playgrounds

For Over 45 Years



NOTE:
 MOUNTING HEIGHT TO BE
 DETERMINED BY ARCHITECT
 OR PHYS-ED STAFF

WORK ORDER / TRACKING NO		QTY REQUIRED		ROYAL STEWART LTD. Your Sports Facility and Auditorium Specialists 240 I-XL Cres. (St. Clements Ind. Park) Lockport, Manitoba, Canada, R1A 3R9		1
MATERIAL		TITLE RS-29 WALL ADJUSTABLE CHINNING BAR				DWG SHEET NO 1
SCALE	N.T.S.	DATE		DWG NO	REV	A
DRAWN BY	ET	02/25/04				

REV	DATE	DRAWING RELEASE	BY	CHK'D
A	05/19/04		ET	
DO NOT SCALE DWG. UOS DIMENSIONS ARE IMPERIAL INCHES				