

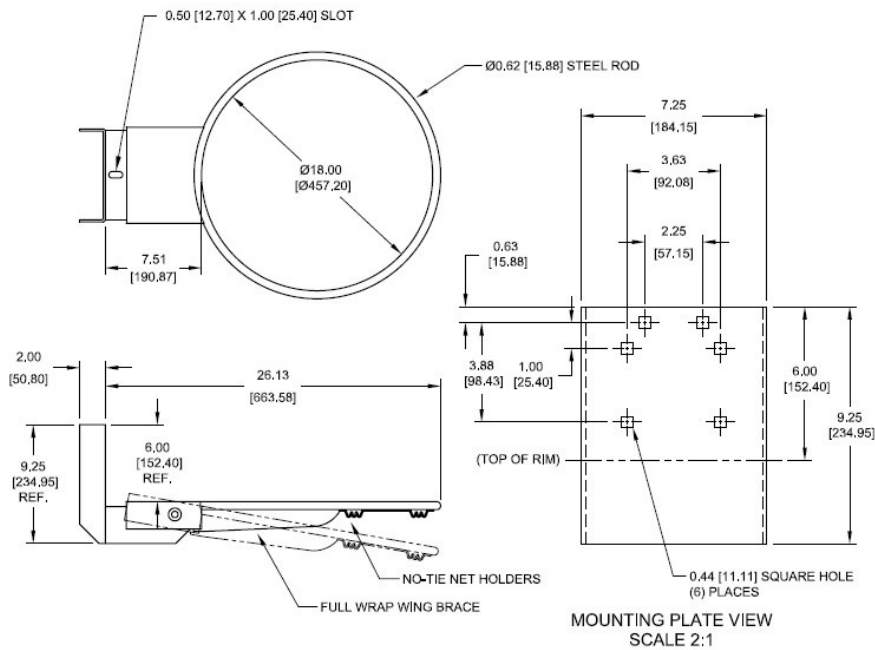
**RS 6600 Rear Mount Breakaway Goal**

SUPPLY & INSTALL:

**RS 6600 – Rear Mount Breakaway Goal**

For use on RS 97 backboard

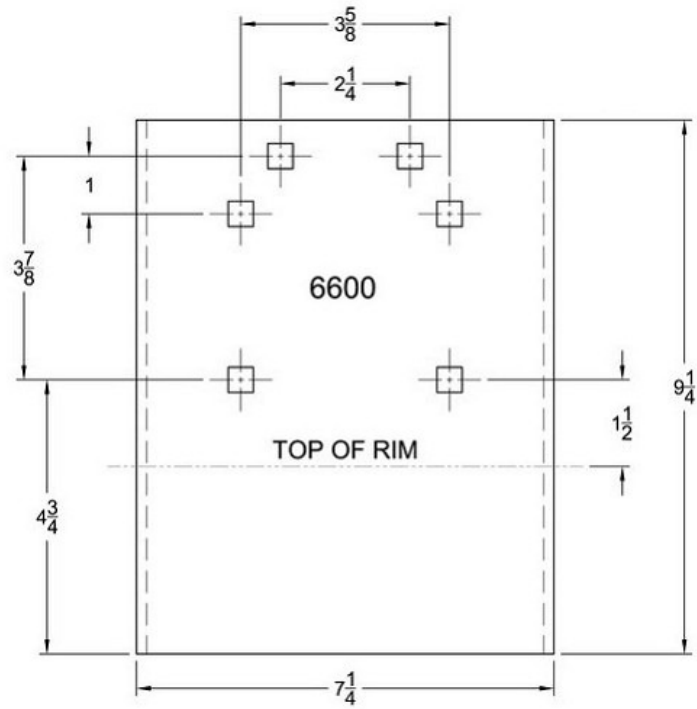
The RS 6600 rear mount goal shall be constructed with an official sized 18" ring of 5/8" diameter steel with continuous no-tie net attachments. Back plate shall be of heavy gauge thickness and 6" wide. Continuous welded wrap-around brace shall be 3/16" x 1-1/2". Goal shall have completely enclosed return springs. Goal shall have a durable orange powder coated finish and come complete with nylon net and hardware. Goal shall have 7/16" square mounting holes.



NOTE:  
FINISH - OFFICIAL ORANGE POWDER COAT.  
GOAL IS SUPPLIED WITH NYLON NET AND HARDWARE.

Leaders in Auditorium and Sports Facilities  
Spectator Seating / Basketball Backstops / Scoreboards / Gym Dividers / Volleyball Post Systems  
Safety Inspections / Service / Maintenance / Playgrounds

*For Over 45 Years*



Leaders in Auditorium and Sports Facilities  
 Spectator Seating / Basketball Backstops / Scoreboards / Gym Dividers / Volleyball Post Systems  
 Safety Inspections / Service / Maintenance / Playgrounds

*For Over 45 Years*