

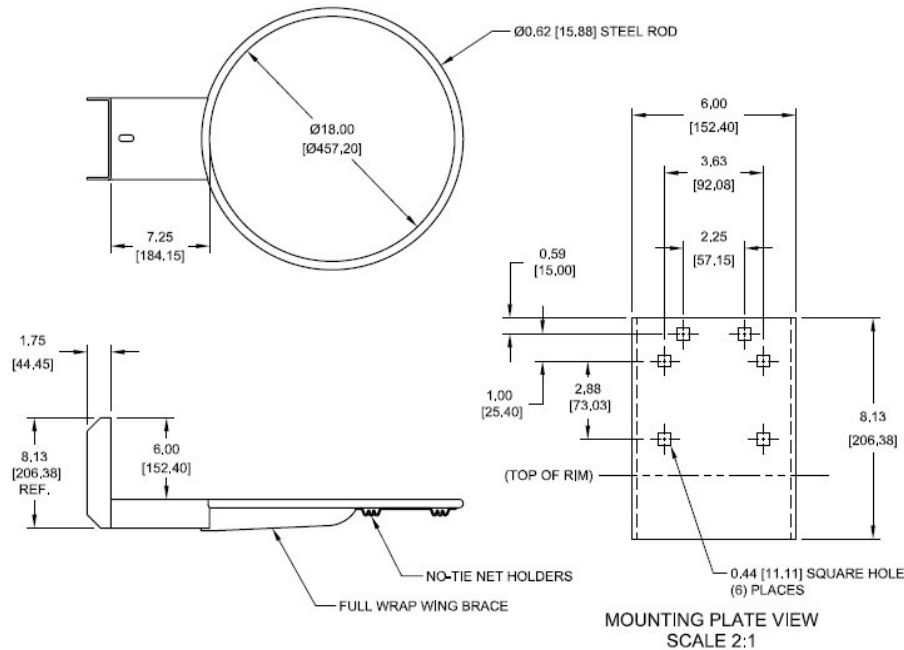
RS R/M - Rear Mount Goal

SUPPLY & INSTALL:

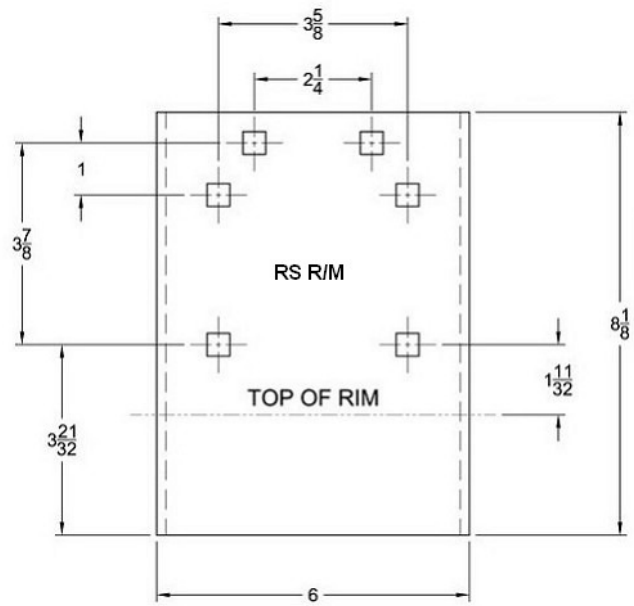
RS R/M – Rear Mount Goal

For use on RS 97 backboard

The RS R/M rear mount goal shall be constructed with an official sized 18" ring of 5/8" diameter with continuous no-tie net attachment. Back plate shall be of 7-gauge thickness and 6" wide. Braces shall be 3/16" x 1-1/2" and reinforce ring from beneath ring. Goal shall have a durable orange powder coated finish and come complete with nylon net and hardware. Goal shall have 7/16" square mounting holes.



NOTE:
FINISH - OFFICIAL ORANGE POWDER COAT.
GOAL IS SUPPLIED WITH NYLON NET AND HARDWARE.



Leaders in Auditorium and Sports Facilities
 Spectator Seating / Basketball Backstops / Scoreboards / Gym Dividers / Volleyball Post Systems
 Safety Inspections / Service / Maintenance / Playgrounds

For Over 45 Years