



RS 112 HD Practice Basketball Backstop:

SUPPLY & INSTALL:

RS 112 HD Backstop, as supplied by Royal Stewart Ltd.

Framework shall be made using 2" (51 mm) square tubing and mounted to the wall by means of 4" x 7 1/2" x 1/4" (102 mm x 190 mm x 6 mm) steel wall plates.

Maximum extension of this unit is 36" (914 mm).

Framework shall be painted flat black.

Wall bolts shall be supplied as indicated on the shop drawing, for installation by others.

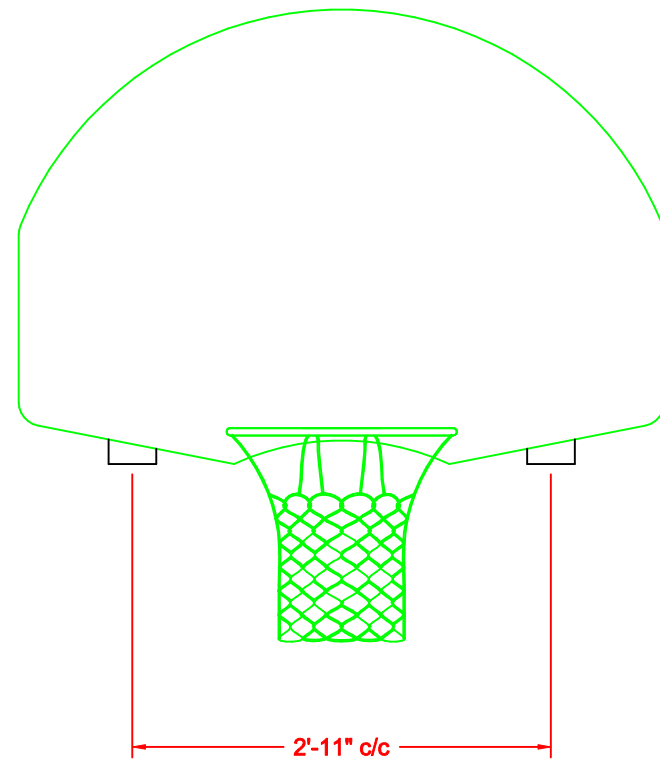
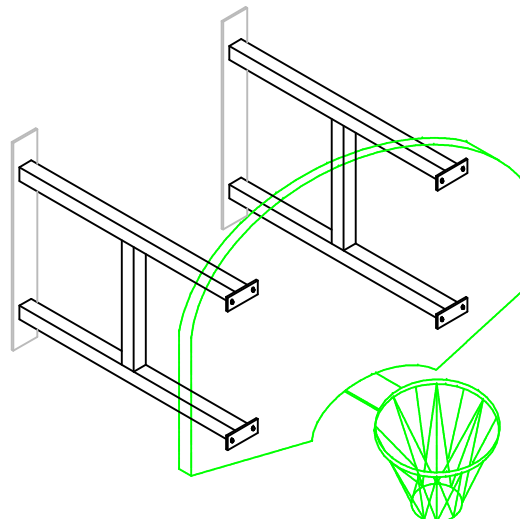
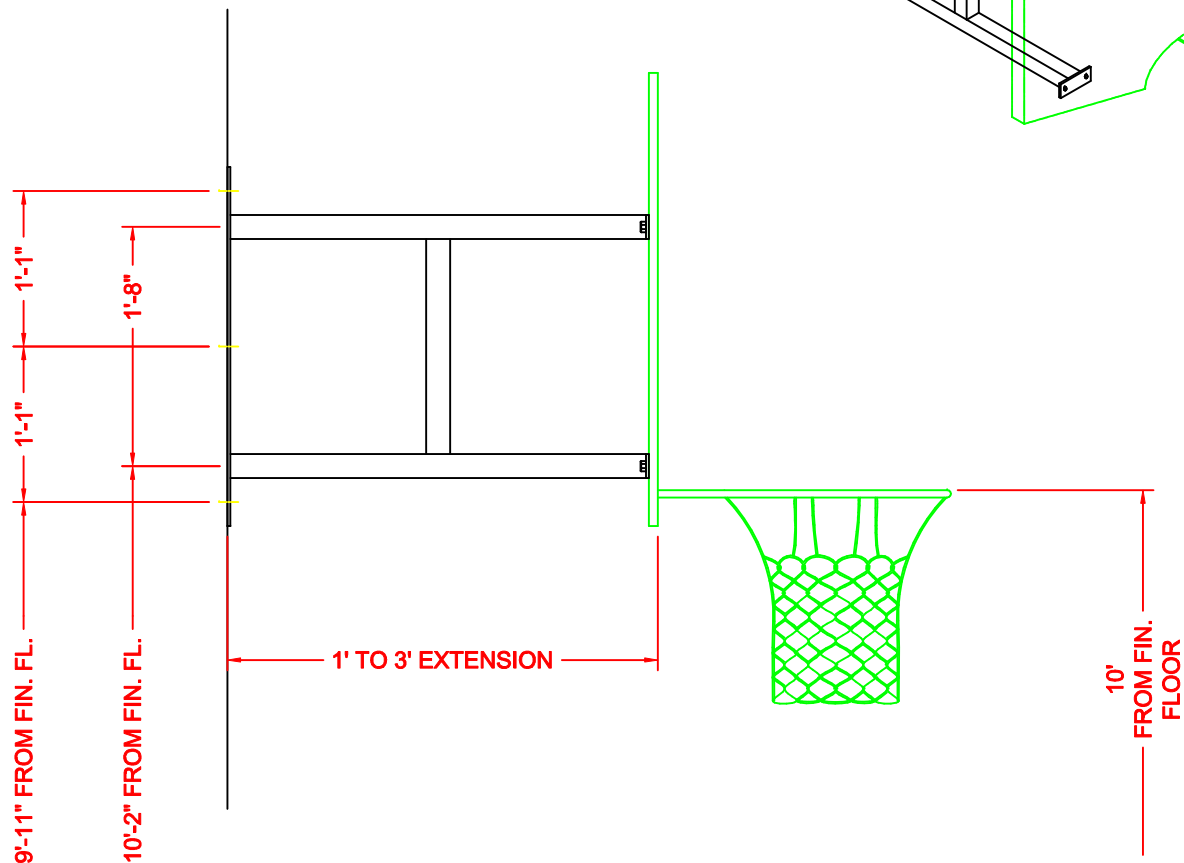
All other accessories to be supplied as specified.

NOTES:

- SUFFICIENT REINFORCEMENT OF WALL STRUCTURE TO SUPPORT BACKSTOP FRAME IS THE RESPONSIBILITY OF OTHERS.
- MOUNTING STRENGTH IS THE RESPONSIBILITY OF INSTALLER.
- RECOMMENDED WALL MOUNTING (NIC):
 - BOLT THROUGH WALL WITH SUFFICIENT BACKUP PLATES.
 - USE 13mm DIA. BOLTS, OR AS REQUIRED.
 - PLACEMENT MUST BE EXACT.

SPECIFICATIONS:

STEEL STRINGERS-1/4" x 4" x 30" H.R. STEEL
 FRAMES-2" x 2" SQUARE TUBING



WORK ORDER / TRACKING NO		QTY REQUIRED		ROYAL STEWART LTD. Your Sports Facility and Auditorium Specialists 240 I-XL Cres. (St. Clements Ind. Park) Lockport, Manitoba, Canada, R1A 3R9		1	
MATERIAL		TITLE RS-112HD PRACTICE BACKSTOP				1	
A	05/17/02	DRAWING RELEASE	ET	SCALE	N.T.S.	DWG SHEET NO	ROUTING
REV	DATE	REVISIONS DESCRIPTION	BY	DRAWN BY	ET	DWG NO	REV
DO NOT SCALE DWG. UOS DIMENSIONS ARE IMPERIAL INCHES				DATE	05/17/02		A